

0102-0441

04-07 Dodge Durango

Components List:

- 2 – Stainless steel step bars. Passenger/Driver
- 4 – Mount Brackets.
- 2 – Support Brace, Passenger/Driver
- 4 – Spacer Plate
- 2 – M10 Bolt Plate

Parts List:

- 2 – M12-1.75 x 120 mm hex head bolts
- 2 – M12-1.75 x 110 mm hex head bolts
- 4 – M12 flat washers
- 4 – M12 lock washers
- 2 – M10 flat washers
- 2 – M10 lock washers
- 2 – M10 hex nut
- 4 – M14 hex head bolt
- 4 – M14 flat washers
- 4 – M14 lock washers

Installation Instruction:

1. Remove contents from box and check for damage. Verify all the parts from the list above are present and accounted for. Please read instructions completely before starting.
2. Remove existing body mount bolts. Body mount bolts will not be used for step bar installation.
3. Install front bracket to body mount using M12-1.75 x 110 mm bolt and M12 washer set. Install rear bracket with two spacer plates between bracket and body mount. Secure using M12 –1.75 x 120 mm bolt and M12 washers. Hand tighten. See figure 2.

4. Determine passenger and driver side support braces. Insert bolt plate into slotted hole on the bottom of frame. Attach support brace to bolt plate using M10 fasteners as shown figure 1. 2. Leave loose. Attach support brace to the backside of the front bracket and to step bar tube using M14 bolt set. Attach rear bracket to step bar tube using M14 bolt set.

Note: The longer leg of the step bar tube goes to the front of the truck.

Note: Support brace will not sit flat against the bracket or the frame. When the bolts are tightened, the support brace will conform to the bracket and the frame.

5. Repeat installation for passenger side.

0102-0441

DRIVER SIDE INSTALLATION SHOWN

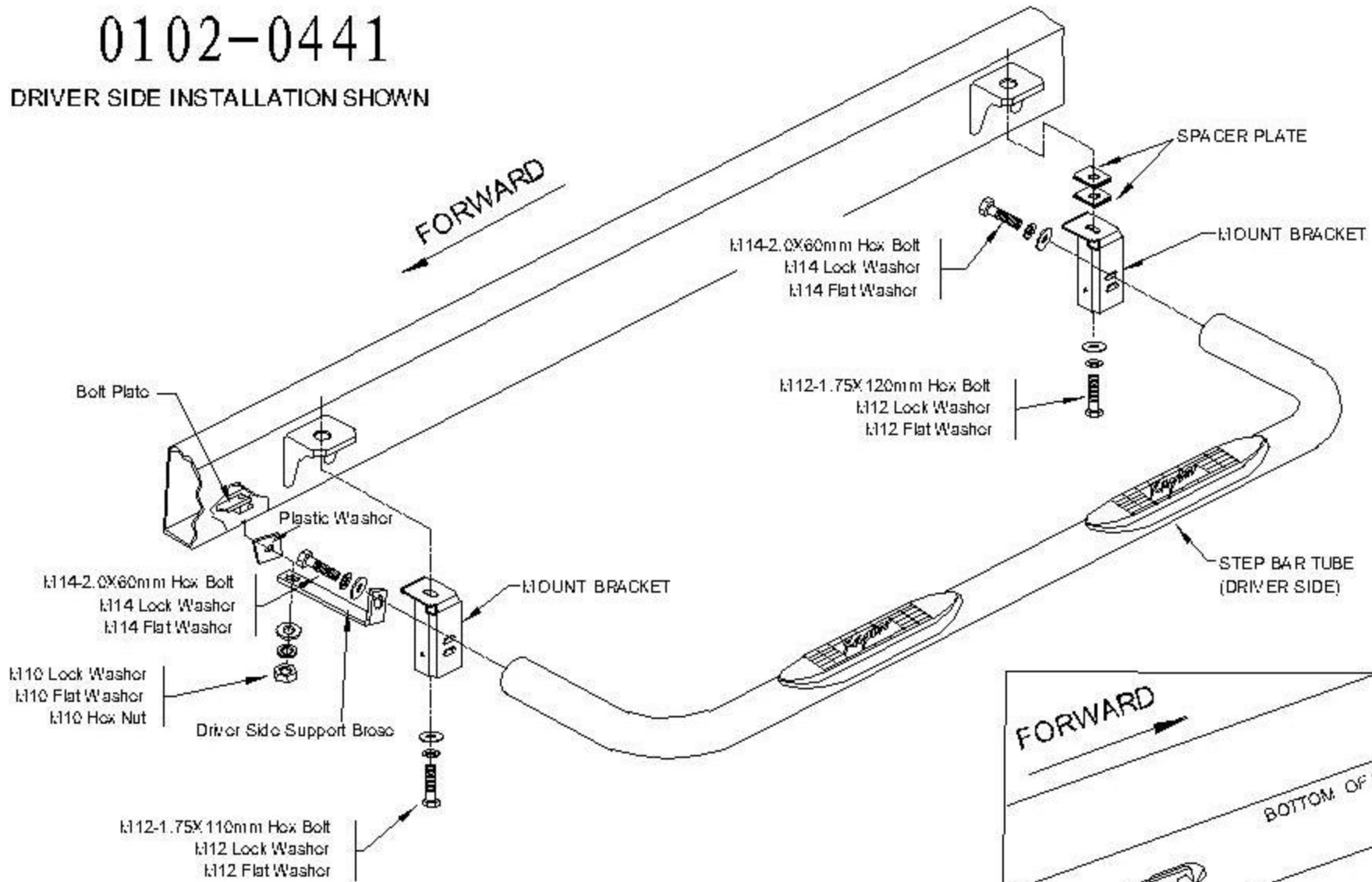


FIGURE 2

DRIVER SIDE SHOWN PASSENGER SIDE OPPOSITE

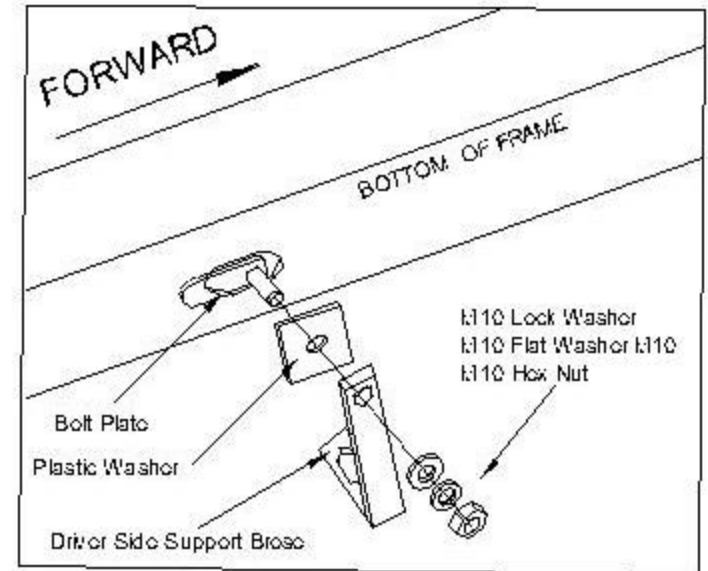


FIGURE 1