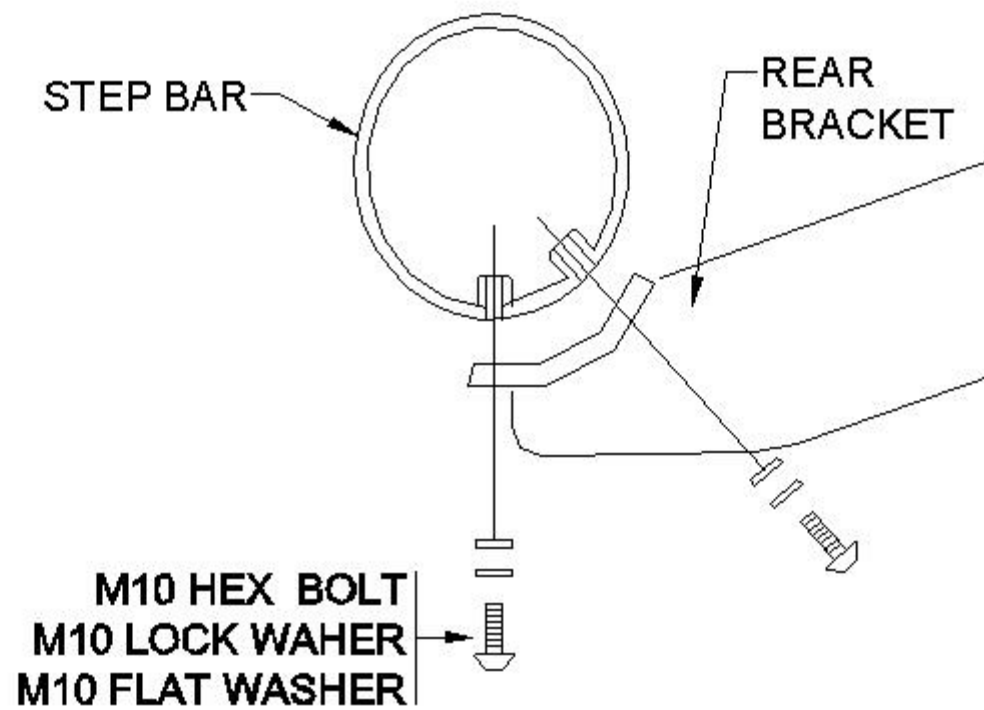


# Installation Instruction

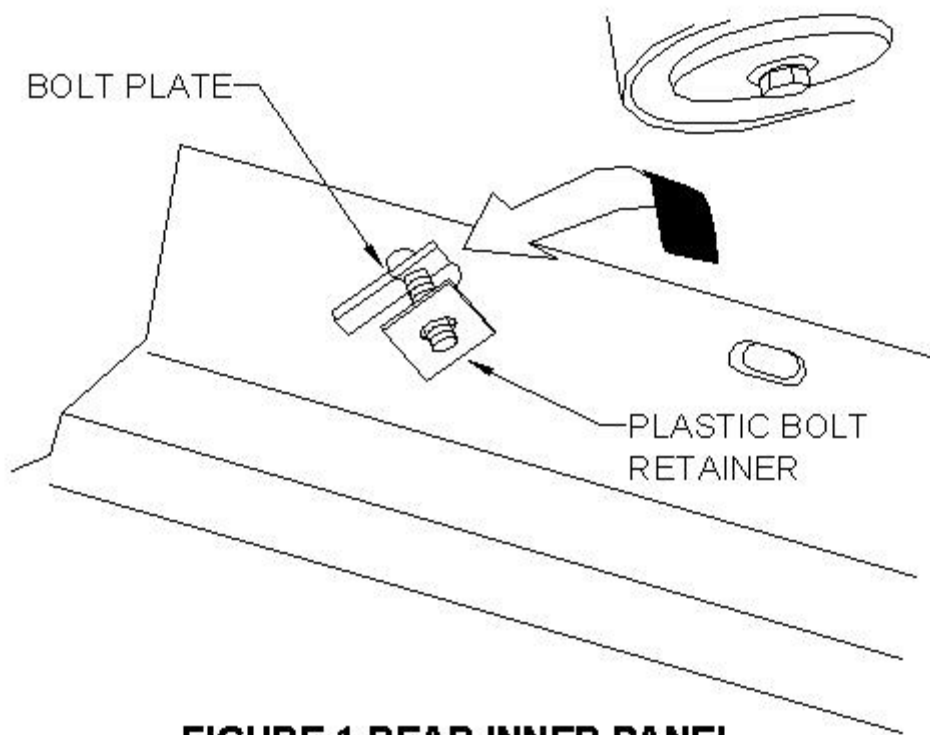
## Model: 0302-0050

- STEP 1. Remove all contents from the received box and check stainless steel tube for any dent. Also verify all brackets and bolts against the parts list.
- STEP 2. Read installation manual and installation drawing completely. Understand all brackets and bolts before installation.
- STEP 3. Install bolt plates into inner support panels near rear body mounts for both driver and passenger side as shown.
- STEP 4. Remove existing front and rear body mount bolts (12mm) from underside of cab. Replace existing 12mm bolts with M12-1.75 x120mm bolts and ½" flat washers. Install front and rear mounting brackets on front and rear body mounts respectively as shown.
- STEP 5. Fasten rear support strap with M10 bolt set to bolt plate and rear mounting bracket for both driver and passenger side as shown.
- STEP 6. Install step bar onto mounting brackets using M14 bolt set at front and using M10 allen head bolt set at rear as shown.  
Torque M12-1.75x120mm bolt and M14 bolts to 60-65 ft-lbs.  
Torque M10 allen bolts to 25-30 ft-lbs.

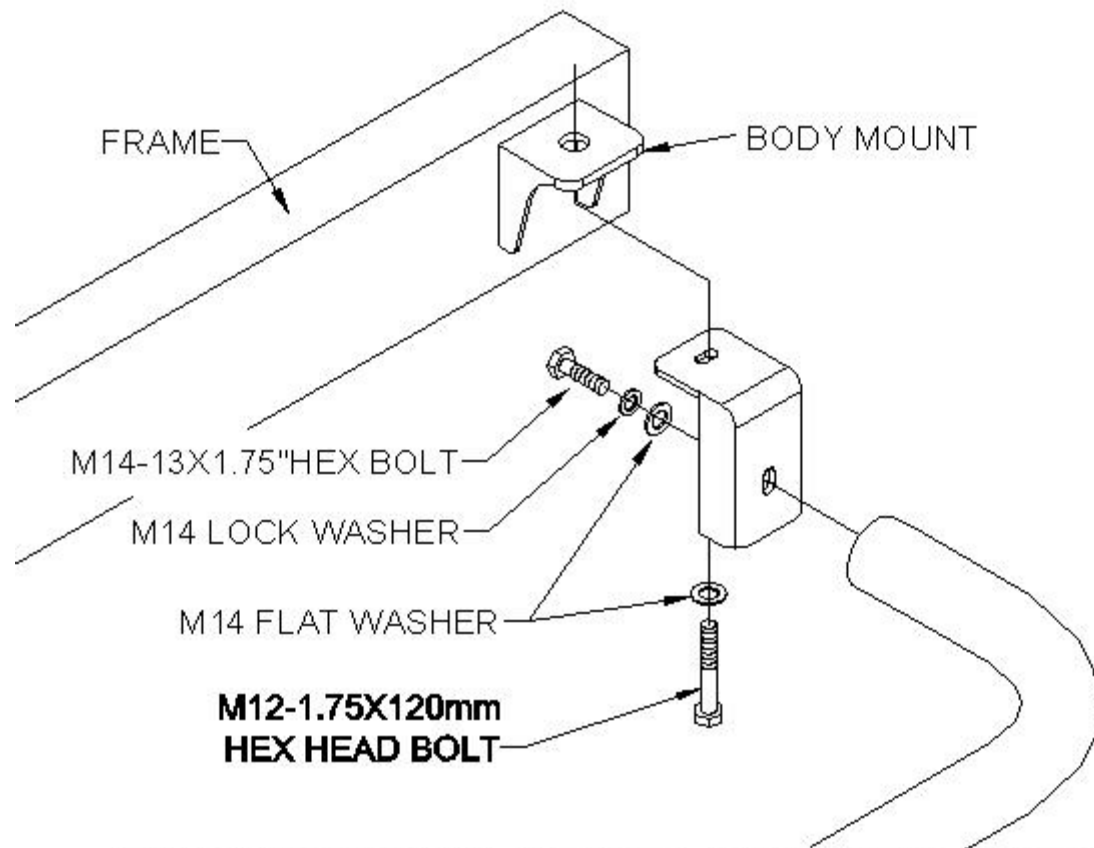
<b>0302-0050</b>			
Item No.	Part Number	Part Description	QTY
1	0302-0050-01	STEP BAR - DRIVER, SIDE	1
2	0302-0050-02	STEP BAR - PASSENGER SIDE	1
3	0302-0050-03	MOUNT BRACKET-FRONT-UNIVERSAL	2
4	0302-0050-04	MOUNT BRACKET-REAR-DRIVER SIDE	1
5	0302-0050-05	MOUNT BRACKET-REAR-PASSENGER SIDE	1
6	0302-0050-06	SUPPORT STRAP-REAR	2
7	0302-0050-11	BOLT PLATE	2
8	0302-0050-12	M12-1.75X120MM HEX HEAD BOLT	4
9	0302-0050-13	M10 HEX HEAD BOLT	2
10	0302-0050-14	M10 SPLIT LOCK WASHER	4
11	0302-0050-15	M10 FLAT WASHER	6
12	0302-0050-16	M10 HEX NUT	4
13	0302-0050-17	M10 ALLEN HEAD BOLT	4
14	0302-0050-18	M10 FLAT WASHER	4
15	0302-0050-19	M10 TOOTH LOCK WASHER	4
16	0302-0050-20	M14 HEX HEAD BOLT	2
17	0302-0050-21	M14 LOCK WASHER	2
18	0302-0050-22	M14 FLAT WASHER	6
<b>TOOLS REQUIRED</b> 18MM / 19MM SOCKET 9/16 SOCKET / WRENCH 3/4" SOCKET / WRENCH 7/32 HEX BIT WRENCH RATCHET TORQUE WRENCH			



**FIGURE 4-REAR MOUNT ATTACHMENT**



**FIGURE 1-REAR INNER PANEL**



**FIGURE 3-FRONT PASSENGER MOUNT ATTACHMENT**

