

0701-0109

1998-99 Chevy/GMC C/K Pickup - 2 Dr, Ext Cab

Components List:

- 2 – Stainless steel oval step bars
- 2 – Front Bracket – Driver & Passenger Side
- 2 – Rear Bracket – Driver & Passenger Side
- 2 – Front Support Brace
- 2 – Rear Support Brace – Driver & Passenger Side
- 2 – Bolt Plate

Parts List:

- 4 – M12-1.25 x 120mm Hex Head Bolts
- 6 – M12 Flat Washers
- 2 – M12 Lock Washers
- 2 – M12 Hex Nut
- 4 – M10-1.75 x 30mm Hex Bolt
- 8 – M10 Flat Washer
- 4 – M10 Lock Washers
- 4 – M10 Hex Nut
- 2 – Plastic Washer (Square)
- 8 – M10 button head bolt
- 8 – M10 lock washers
- 8 – M10 Flat washers

Installation Instruction:

1. Verify all the parts from the list above are present and accounted for. Please read instructions completely before starting.
2. Remove existing body mount bolts as shown. DO NOT DISCARD! (**Fig. 1**)
3. Install front and rear brackets as shown (**Fig. 1 & 4**). Hand tighten.
4. Remove existing plugs from rear inside body panel as shown (**Fig. 2**).
5. Attach plastic washer to bolt plate. Insert bolt plate as shown (**Fig. 2**).
6. Remove existing M8 bolt and flat washer from underside of front body panel as shown. DO NOT DISCARD! (**Fig. 4**)
7. Install front and rear support braces as shown. Hand tighten. (**Fig. 1, 3, 4**)
8. Place oval step bars on brackets. Each step bar is marked driver and passenger.
9. Assemble with M10 button head bolts and M10 washers. 2 bolts per bracket, 4 bolts per bar (**see Fig 5**). Hand tighten.

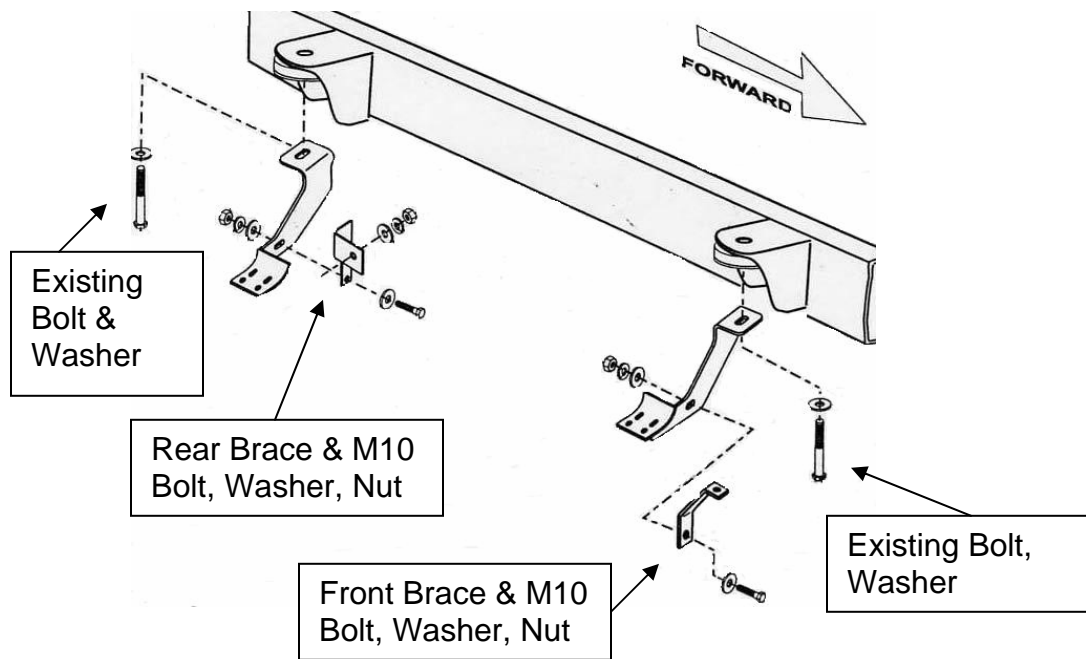


Figure 1. Passenger Side Shown

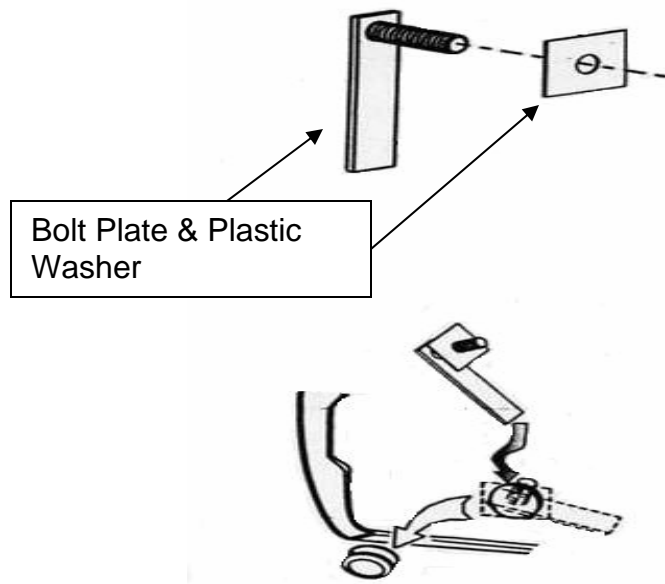


Figure 2. Bolt Plate Shown

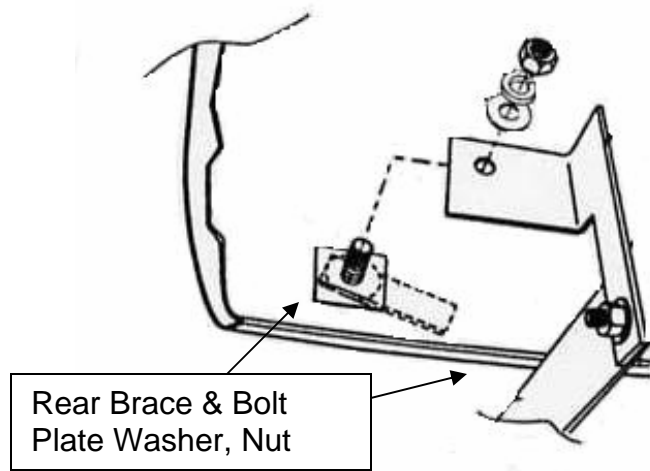


Figure 3. Rear Brace Shown

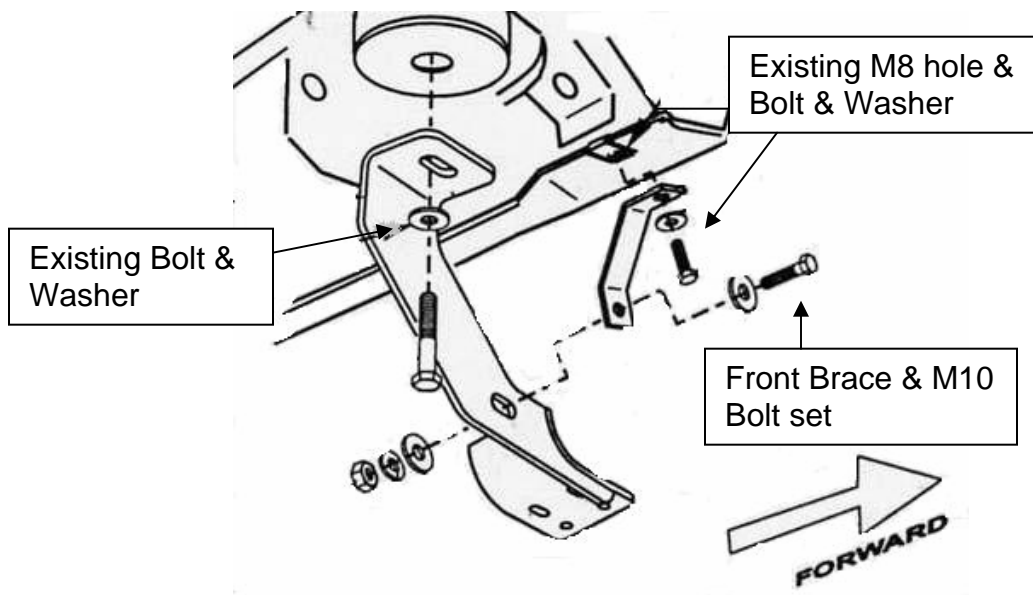


Figure 4. Driver Side Front Bracket Shown

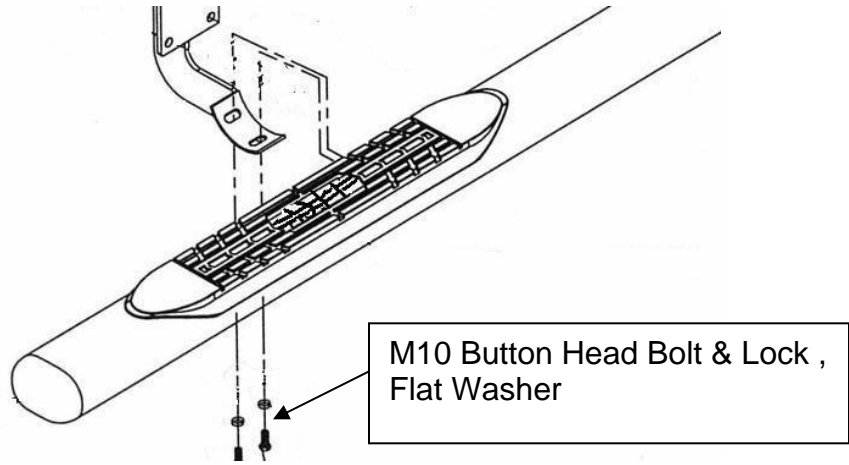


Figure 5. Installation View of Bracket & Bar