

0702-0122

## 2002-07 Dodge Ram 1500/2500/3500 Regular Cab

### Components List:

- 2 – Stainless steel oval step bars
- 2 – Front Bracket – Driver & Passenger Side
- 2 – Rear Bracket – Driver & Passenger Side
- 2 – Front Support Brace – Driver & Passenger Side
- 2 – Bolt Plate

### Parts List:

- 2 – M10-1.25 x 30mm Hex Head Bolts
- 6 – M10 Flat Washers
- 4 – M10 Lock Washers
- 4 – M10 Hex Nut
- 4 – M12-1.75 x 120mm Hex Bolt
- 4 – M12 Flat Washer
- 2 – Plastic Washer (Square)
- 8 – M10 button head bolt
- 8 – M10 lock washers
- 8 – M10 Flat washers

### Installation Instructions:

1. Remove contents from box and check for damage. Verify all the parts from the list above are present and accounted for. Please read instructions completely before starting.
2. Remove existing body mount bolts as shown (**see Fig. 1 and Fig. 2**).
3. Install front and rear passenger brackets as shown using M12-1.75 x 120mm Hex Bolt or existing body mount bolt (**see Fig 1 and Fig. 2**).
4. Attach plastic washer to bolt plate. Insert bolt plate into hole on inside wall of rocker panel (**see Fig. 1**). Connect support brace to bolt plate and main front bracket. Hand tighten.
5. Place passenger side step bar on brackets. Each step bar is marked driver and passenger.
6. Assemble with M10 button head bolts and M10 washers. 2 bolts per bracket, 4 bolts per bar (**see Fig 3**). Hand tighten.

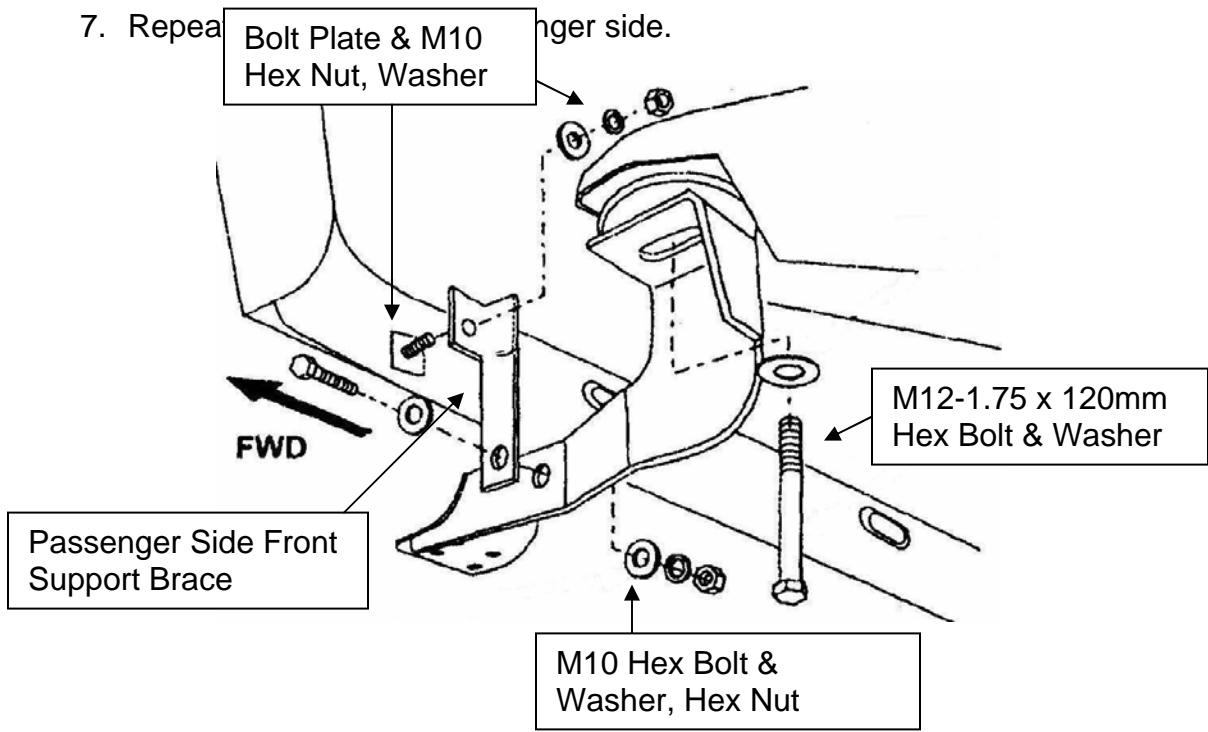


Figure 1. Passenger Side – Front Bracket

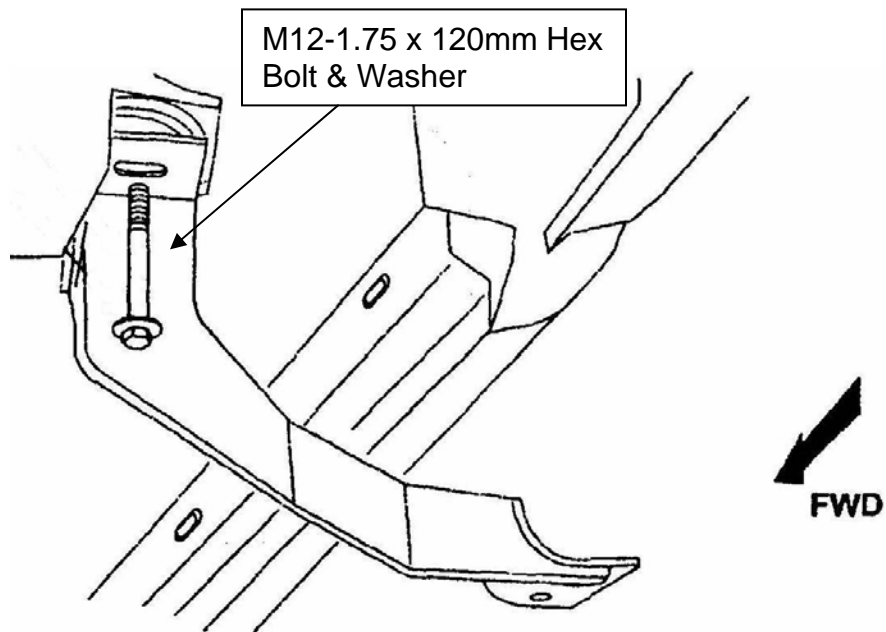


Figure 2. Passenger Side – Rear Bracket

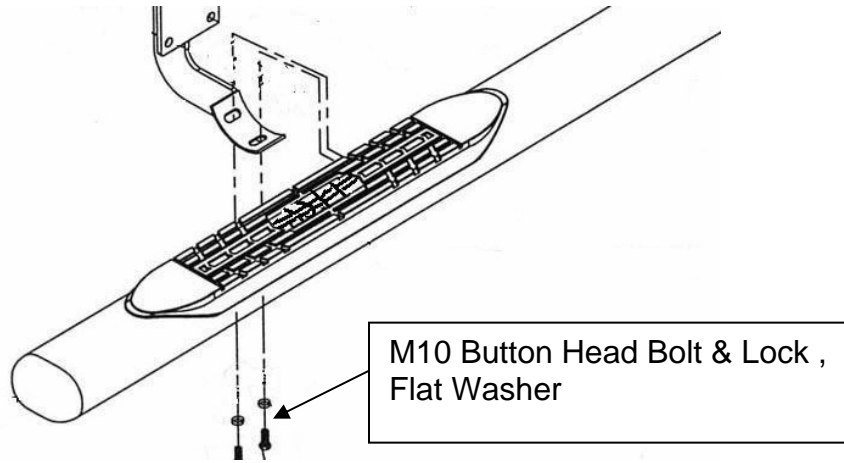


Figure 3. Installation View of Bracket & Bar