

0703-0167

1999-03 Ford F-150/ F-250 LD Regular Cab

Components List:

- 2 – Stainless steel oval step bars
- 2 – Front Bracket – Driver & Passenger Side
- 2 – Rear Bracket – Driver & Passenger Side
- 4 – Bolt Plate - Large

Parts List:

- 8 – M10 Flat Washers
- 8 – M10 Lock Washers
- 8 – M10 Hex Nut
- 8 – M10 Button Head Bolt
- 8 – M10 Lock Washers
- 8 – M10 Flat Washers

Installation Instruction:

1. Remove contents from box and check for damage. Verify all the parts from the list above are present and accounted for. Please read instructions completely before starting.
2. Remove existing plug from underside of truck as shown. Fig. 1. 2.
3. Insert bolt plate as shown. Fig 1.2.
4. Install driver side front and rear bracket as shown. Fig 1. 2.
5. Place driver side step bar on brackets. Each step bar is marked driver and passenger.
6. Assemble with M10 button head bolts and M10 washers. 2 bolts per bracket, 4 bolts per bar. Fig. 3.
7. Repeat installation for passenger side.

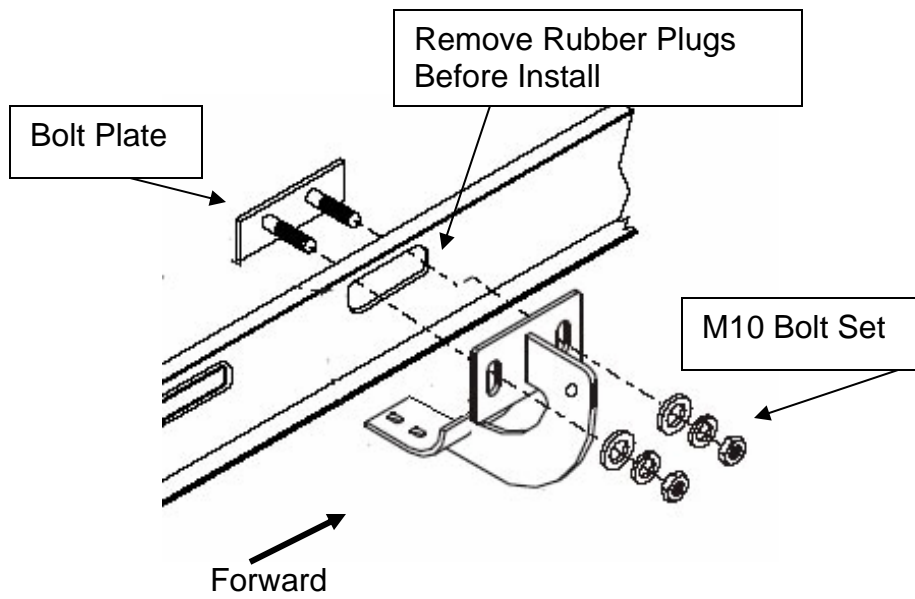


Figure 1. Driver Side – Front Bracket

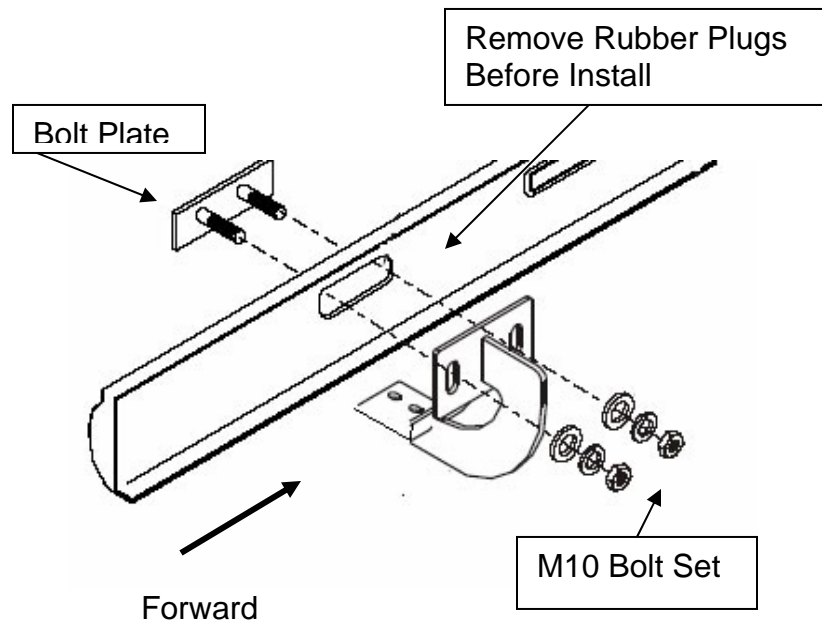


Figure 2. Driver Side – Rear Bracket

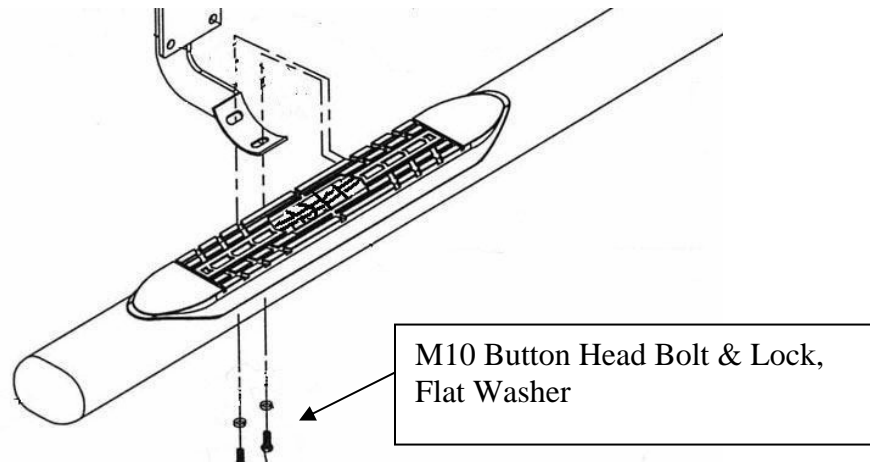


Figure 3. Installation View of Bracket & Bar