

0704-0236

2001-04 Toyota Tacoma Double Cab

Components List:

- 2 – Stainless steel oval step bars
- 2 – Front Bracket – Driver/Passenger Side
- 2 – Center Bracket – Driver/Passenger Side
- 2 – Rear Bracket – Driver/Passenger Side
- 4 – Bolt Plate

Parts List:

- 2 – M12 x 110 mm hex head bolts
- 6 – M12 flat washers
- 6 – M12 lock washers
- 6 – M12 Hex Nut
- 2 – 1.81 O.D Spacer Washer
- 4 – Plastic Washer
- 12 – M10 button head bolt
- 12 – M10 lock washers
- 12 – M10 flat washers

Installation Instruction:

1. Remove contents from box and check for damage. Verify all the parts from the list above are present and accounted for. Please read instructions completely before starting.
2. Install plastic washer onto bolt plates. Install bolt plate into hole in frame. The plastic washer prevents the bolt from falling into the frame and keeps the bolt straight. Install front bracket as shown. Fig. 1. 2.
3. Insert M12 x 110mm hex head bolt w/ spacer washer into oval slot on backside of frame for center bracket as shown. Fig. 3. 4.
4. Install plastic washer onto bolt plates. Install bolt plate into hole in frame. The plastic washer prevents the bolt from falling into the frame and keeps the bolt straight. Install rear bracket as shown. Fig 1. 5.

5. Place step bar on brackets. Each step bar is marked driver and passenger.
6. Assemble with M10 button head bolts and M10 washers. 2 bolts per bracket, 6 bolts per bar. Fig. 6.

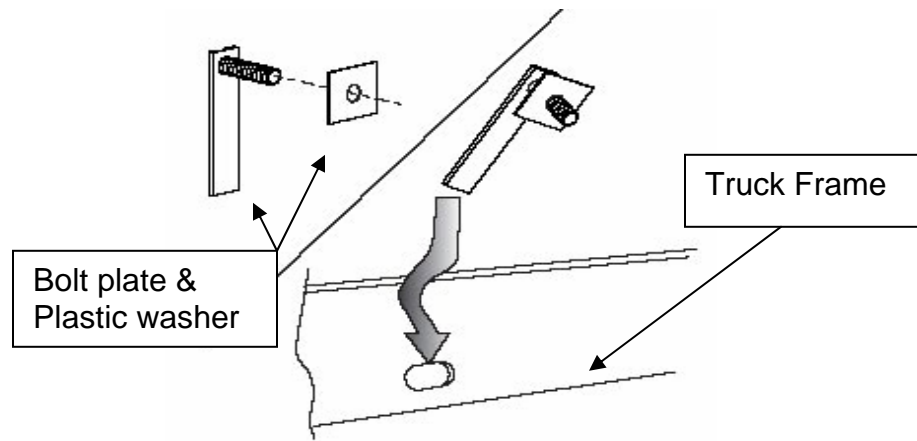


Figure 1. Bolt plate w/plastic Washer

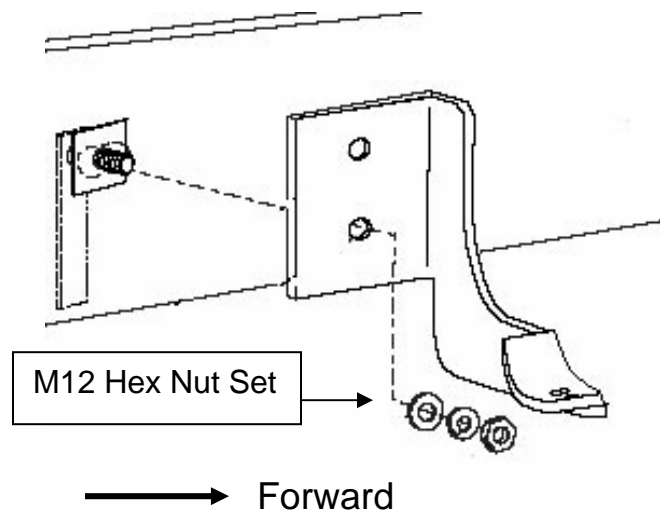


Figure 2. Passenger Side – Front Bracket

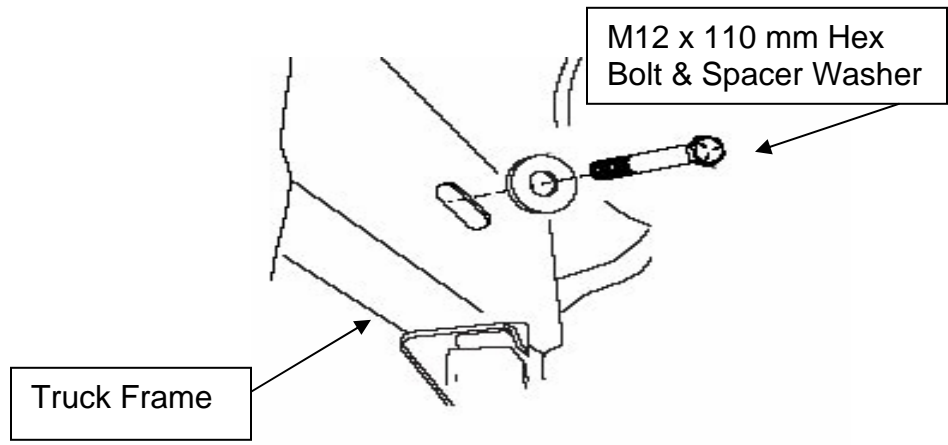


Figure 3. Center Bracket

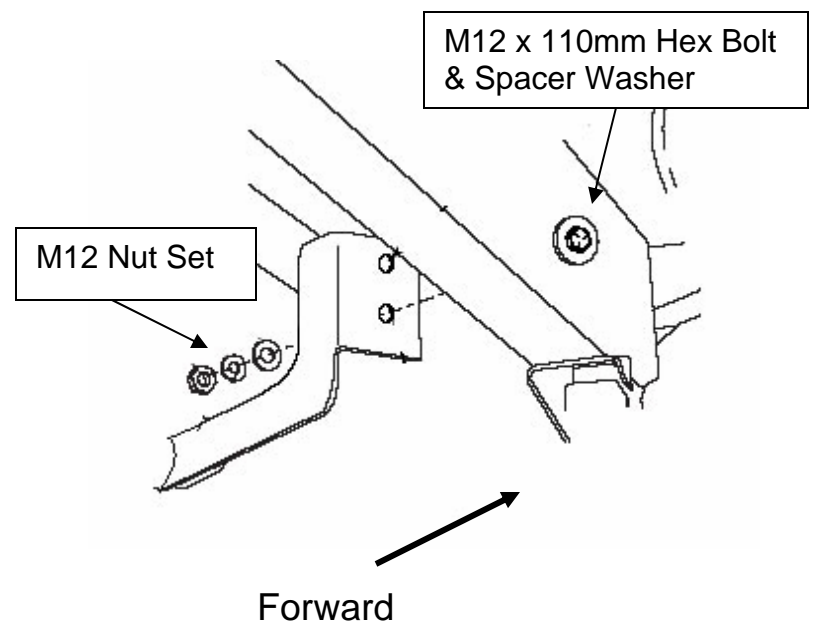


Figure 4. Driver Side – Center Bracket

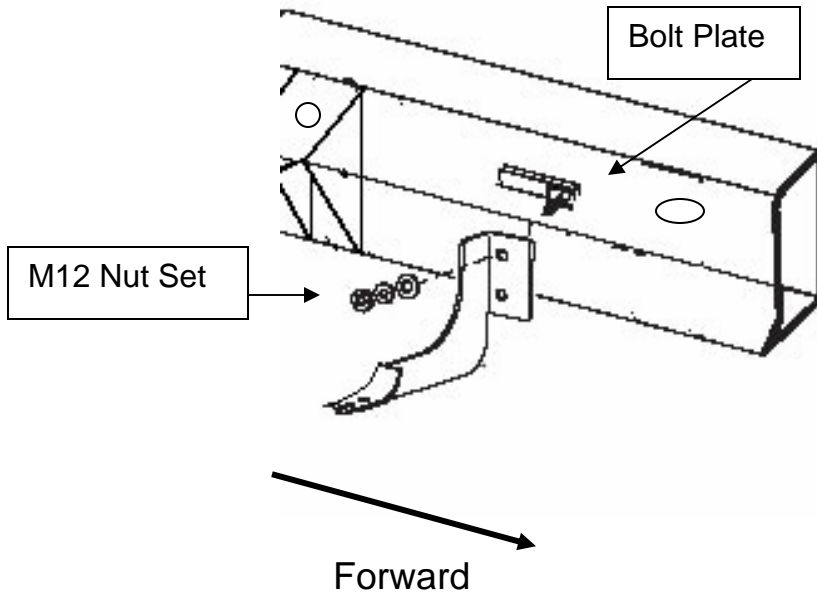


Figure 5. Passenger Side – Rear Bracket

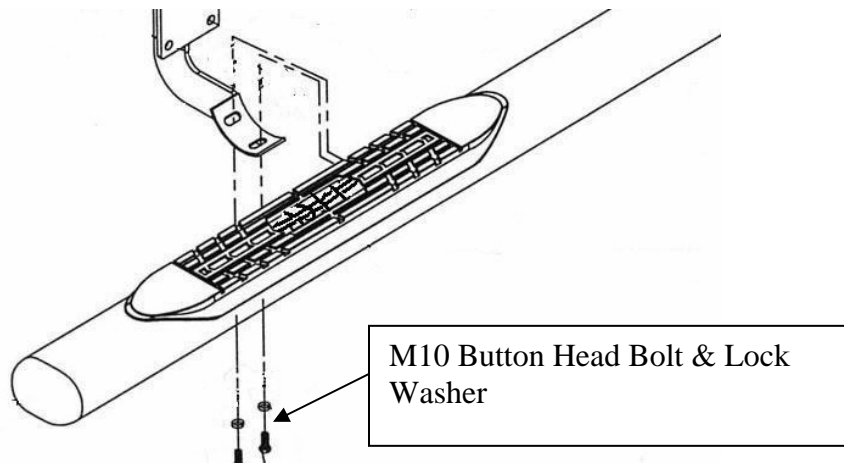


Figure 6. Installation View of Bracket & Bar