

0704-0304

2007 Toyota Tundra Regular Cab

Components List:

- 2 – Stainless steel oval step bars
- 3 – Brackets-Driver Side
- 3 – Brackets-Passenger Side

Parts List:

- 10 – M8-1.25 x 30 mm hex head bolts
- 10 – M8 flat washers
- 10 – M8 lock washers
- 12 – M10 button head bolt
- 12 – M10 lock washers
- 12 – M10 flat washers

Installation Instruction:

1. Remove contents from box and check for damage. Verify all the parts from the list above are present and accounted for. Please read instructions completely before starting.
2. Determine driver side brackets. All driver side brackets are identical with metal cup facing toward the rear of the vehicle (**see Fig. 1**).
3. Install driver side bracket closest to the front wheel first. Use one M8-1.25 x 30mm hex head bolt, M8 flat washer, and M8 lock washer by attaching to underside of body panel. Hand tighten. Use existing factory hole in body panel for install (**see Fig 1**).
4. Attach remaining driver side brackets to underside body panel by using two M8-1.25 x 30mm hex head bolts, M8 flat washers and M8 lock washers per bracket. Hand tighten. Use existing factory holes in body panel (**see Fig. 1**).
5. Place driver side step bar on brackets. Each step bar is marked driver and passenger.
6. Assemble with M10 button head bolts and M10 washers. 2 bolts per bracket, 6 bolts per bar (**see Fig 2**). Hand tighten.
7. Repeat installation for passenger side.

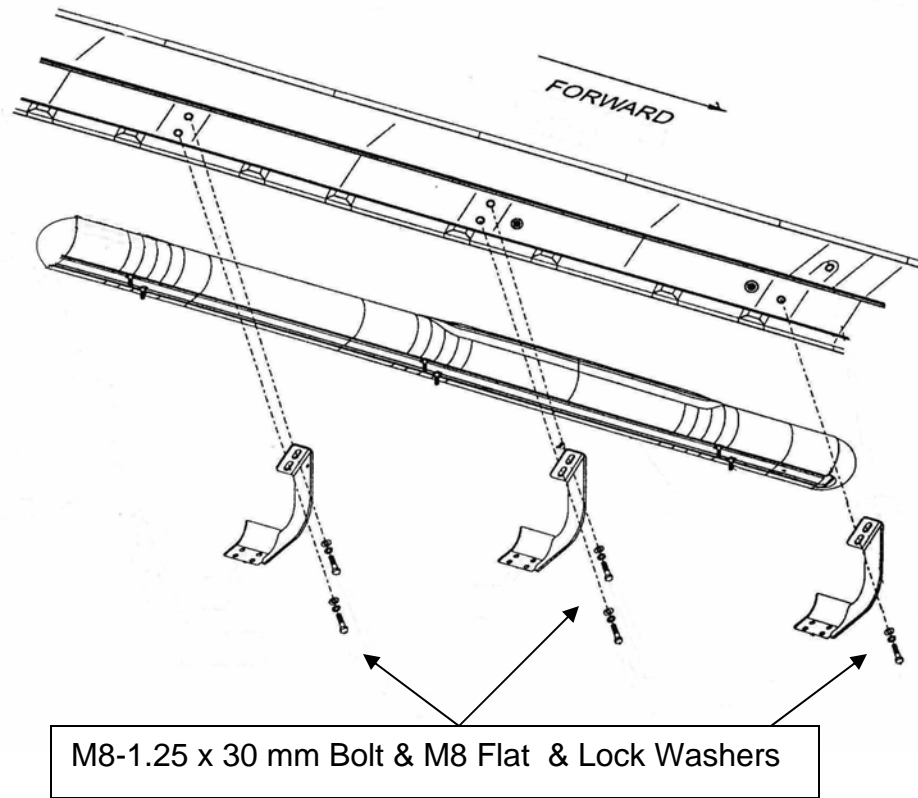


Figure 1. Installation View of Driver Side Shown

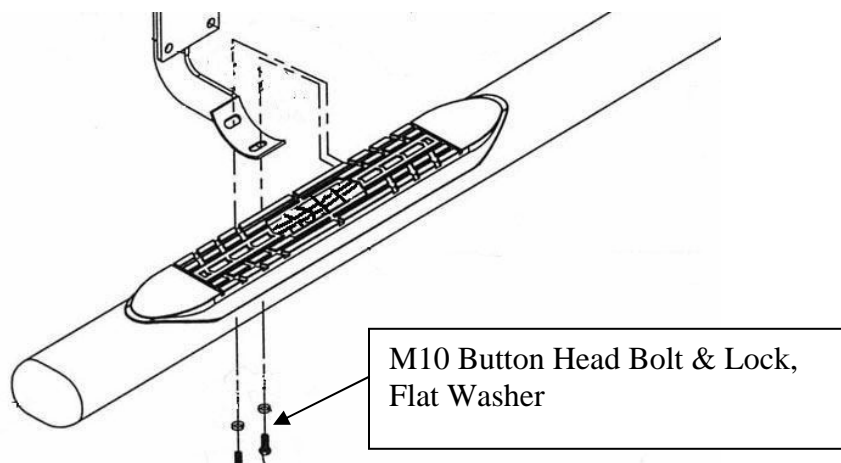


Figure 2. Installation View of Bracket & Bar