

0707-0228

2004-07 Nissan Titan Crew

Components List:

- 2 – Stainless steel oval step bars
- 4 – Brackets

Parts List:

- 4 – M8-1.25 x 25 mm hex head bolts
- 4 – M8 flat washers
- 4 – M8 lock washers
- 4 – M8-1.25 Flange Nut
- 8 – M10 button head bolt
- 8 – M10 lock washers
- 8 – M10 flat washers

Installation Instruction:

1. Remove contents from box and check for damage. Verify all the parts from the list above are present and accounted for. Please read instructions completely before starting.
2. Install driver side bracket as shown (**see Fig 1**) placing bracket over existing bolt and tightening with M8-1.25 Flange nut. Place one M8-1.25 x 25mm hex head bolt, M8 flat washer, and M8 lock washer through bracket to existing hole on underside of body panel (**see Fig 1**). Hand tighten.
3. Attach rear driver side bracket to underside body panel by using the same method as in step 2. Hand tighten.
4. Place driver side step bar on brackets. Each step bar is marked driver and passenger.
5. Assemble with M10 button head bolts and M10 washers. 2 bolts per bracket, 4 bolts per bar (**see Fig 3**). Hand tighten.
6. Repeat installation for passenger side. (**see Fig 2**)

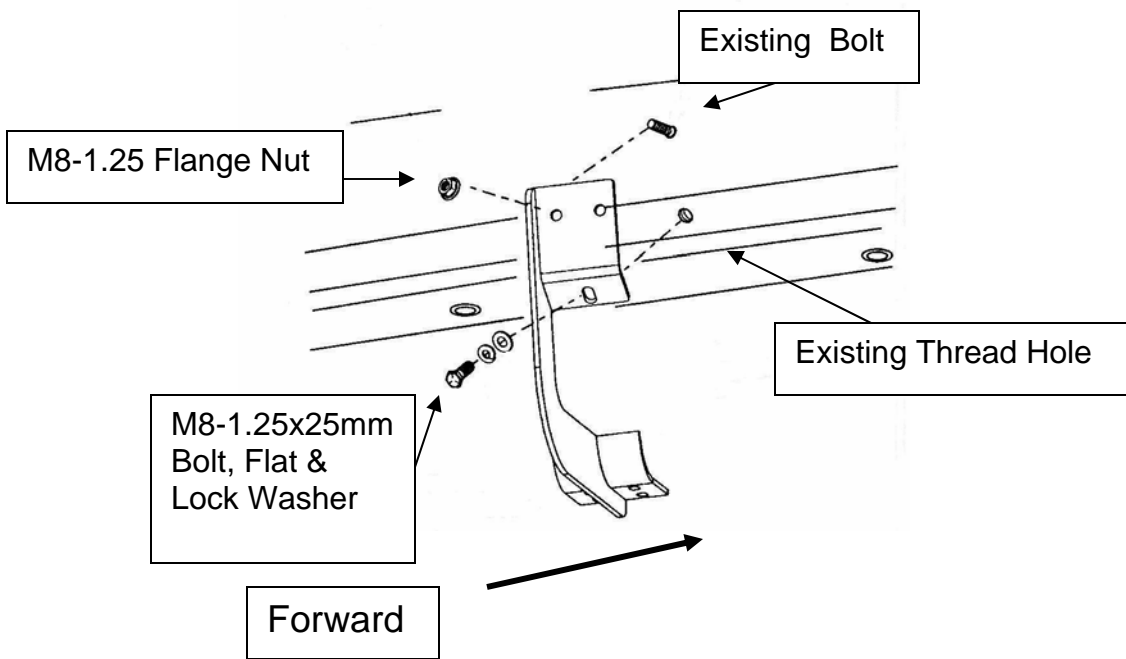


Figure 1. Installation View of Driver Side Shown

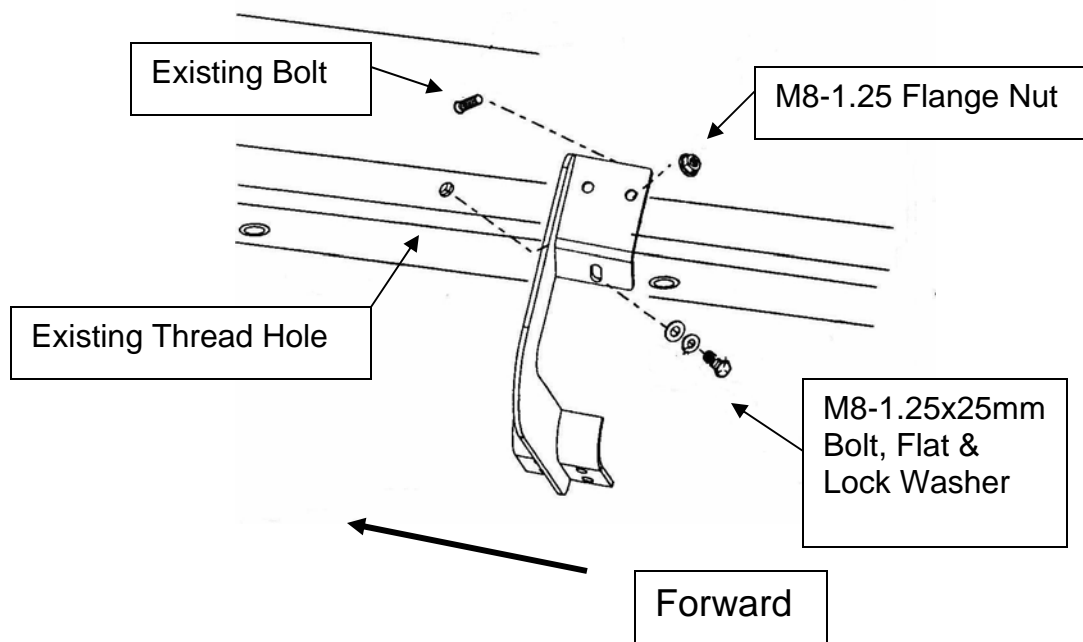


Figure 2. Installation View of Passenger Side Shown

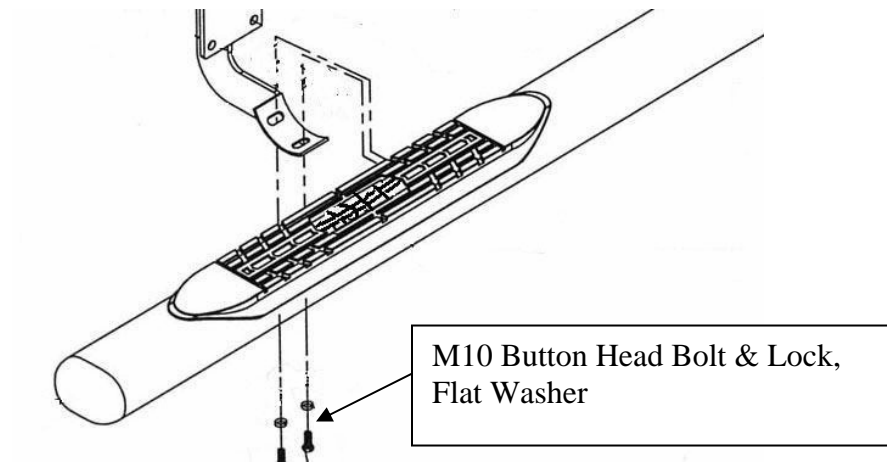


Figure 3. Installation View of Bracket & Bar