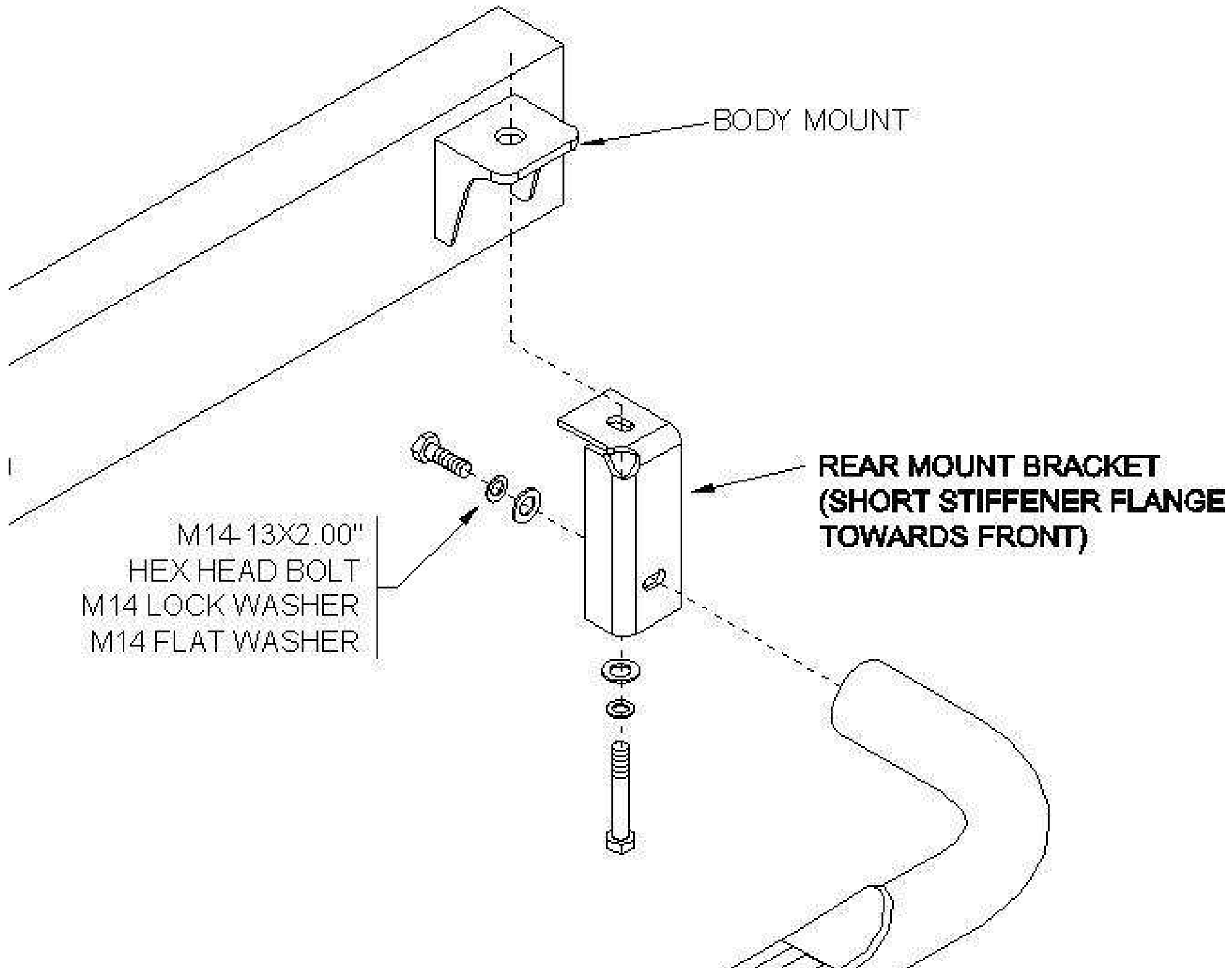


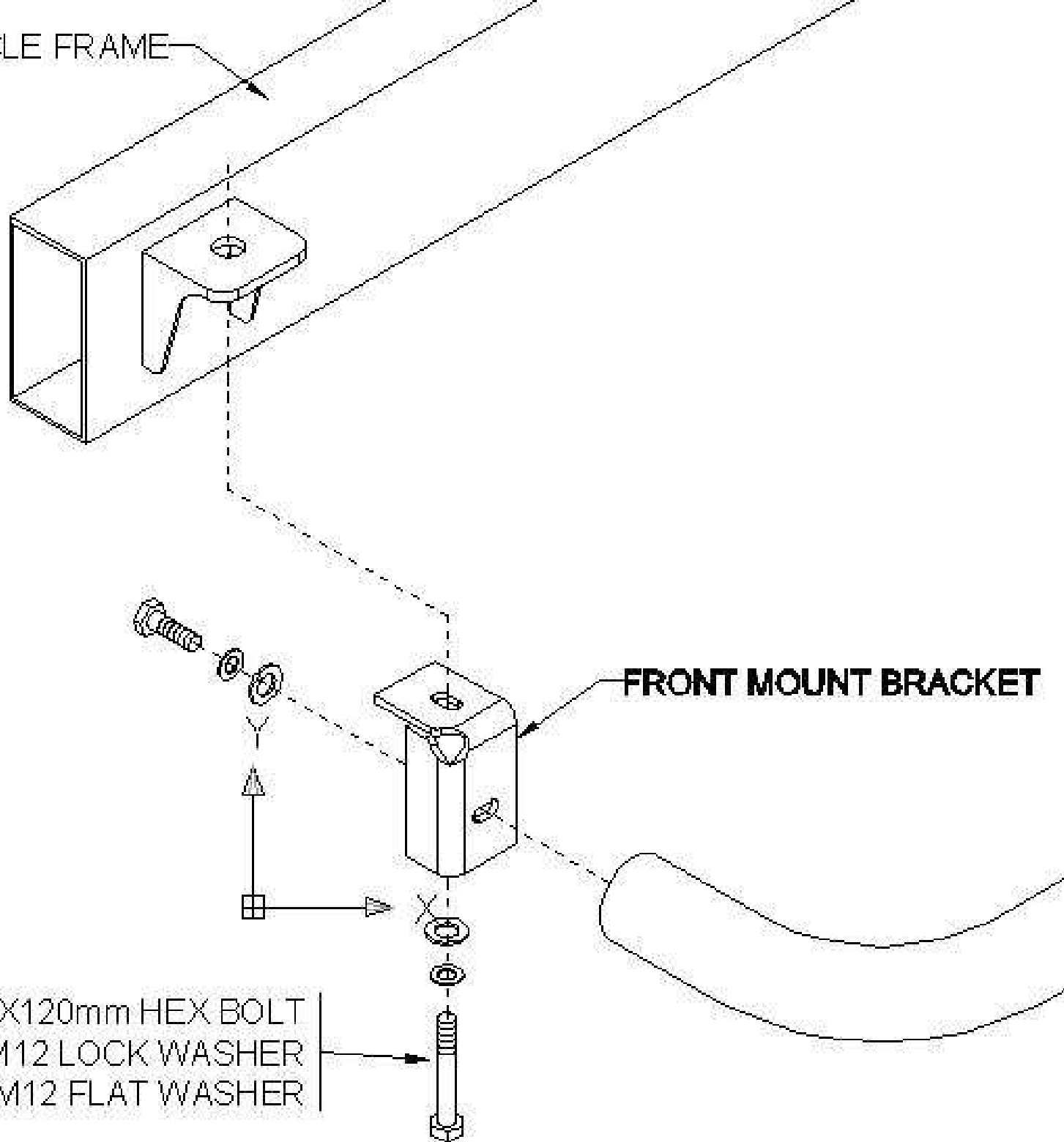
# Installation Instruction

## Model: 0101-0293

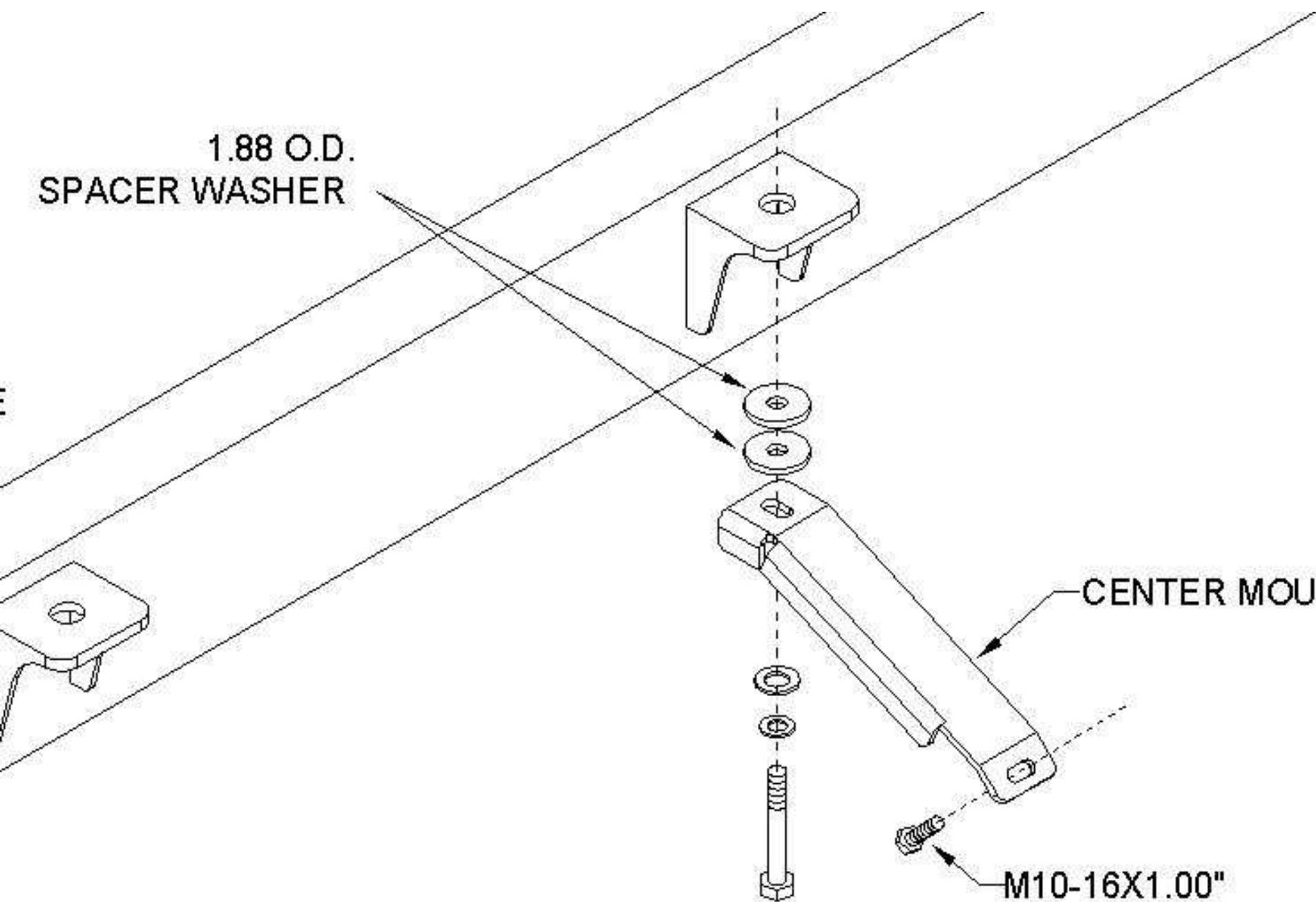
- STEP 1. Remove all contents from the received box and check stainless steel tube for any dent. Also verify all brackets and bolts against the parts list.
- STEP 2. Read installation manual and installation drawing completely. Understand all brackets and bolts before installation.
- STEP 3. Remove driver side front original body mount bolt. Install front mount bracket using M12-1.75x120mm hex bolt, M12 lock washer, M12 flat washer (Note: Make existing washer and rubber bushing in place).
- STEP 4. Repeat step 3 to install center and rear brackets. When installing center bracket, place two 1.88" space washers between bracket and existing rubber bushing and washer as shown.
- STEP 5. Fasten step bars to front, center and rear bracket using M-14 bolts and M10 self threading bolt as shown.



VEHICLE FRAME



1.88 O.D.  
SPACER WASHER



CENTER MOUNT BRACKET

M10-16X1.00"  
SELF THREADING BOLT

# 0101-0293

DRIVER SIDE INSTALLATION SHOWN

