

Installation Instruction

Model : 0101-0631

- STEP 1. Verify all parts are present. Read instructions completely before beginning.
- STEP 2. Verify passenger and driver side bracket. Locate the round holes on rocker panel for bracket installation. Insert M8 hex nut on the longer end of U-bolt. Insert U-bolt through the first hole and out through the second hole. Install M8 hex nut on shorter end of U-bolt after it comes through second hole in the rocker panel. This will help prevent the U-bolt from falling into the rocker panel. Remove the hex nut on the longer end of the U-bolt and position the top flange of the bracket onto the longer end of the U-bolt. Secure with M8 bolt set as shown. Leave loose. Remove the hex nut on the shorter end of the U-bolt. Position bracket and secure with M8 bolt set as shown. Repeat for all brackets.
- STEP 3. Secure the backing plates to the bracket using M8 bolt set as shown and leave loose. The backing plate will clamp the bracket and pinch weld together.
- STEP 4. The regular cab step bar has the step pad closest to the front of the vehicle. Secure with M10 button head bolt set as shown. Repeat the passenger side. Make sure step bar is properly aligned with vehicle.

0101-0631			
Item No	Part Number	Part Description	QTY
1	0101-0631-01	STEP BAR - DRIVER SIDE	1
2	0101-0631-02	STEP BAR - PASSENGER SIDE	1
3	0101-0631-03	BRACKET-DRIVER SIDE	2
4	0101-0631-04	BRACKET-PASSENGER SIDE	2
5	0101-0631-05	BACKING PLATE	4
6	0101-0631-11	M8 HEX HEAD BOLT	8
7	0101-0631-12	M8 FLAT WASHER	24
8	0101-0631-13	M8 LOCK WASHER	16
9	0101-0631-14	M8 HEX NUT	16
10	0101-0631-15	U-BOLT	4
11	0101-0631-16	M10 BUTTON HEAD BOLT	8
12	0101-0631-17	M10 INTERNAL TOOTH LOCK WASHER	8

0101-0631

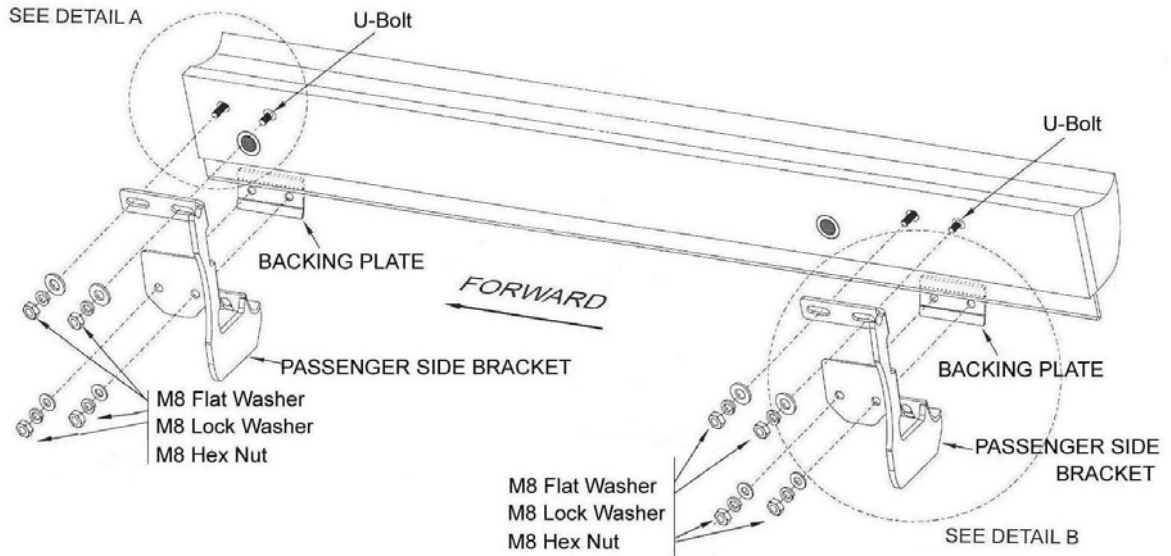


FIGURE 1 INSTALLATION VIEW OF PASSENGER SIDE SHOWN, DRIVER SIDE OPPOSITE

