

Installation Instruction

Model: 0104-0498

STEP 1. Verify all parts are present. Read instructions completely before beginning.

STEP 2. Insert 2 bolt plate into the hole from the inside of the frame on driver and passenger side as shown in figure 1.

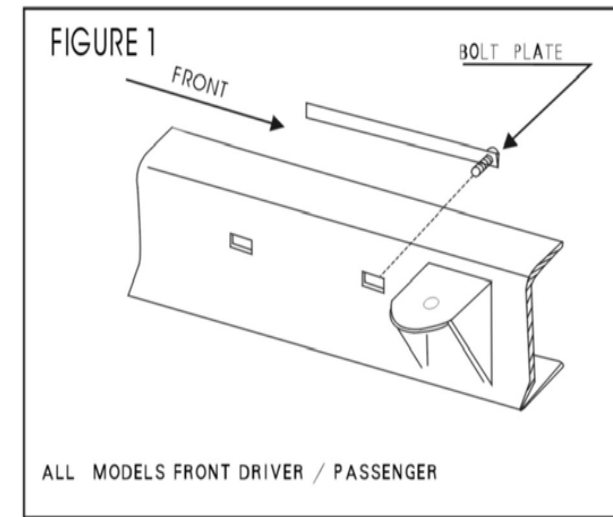
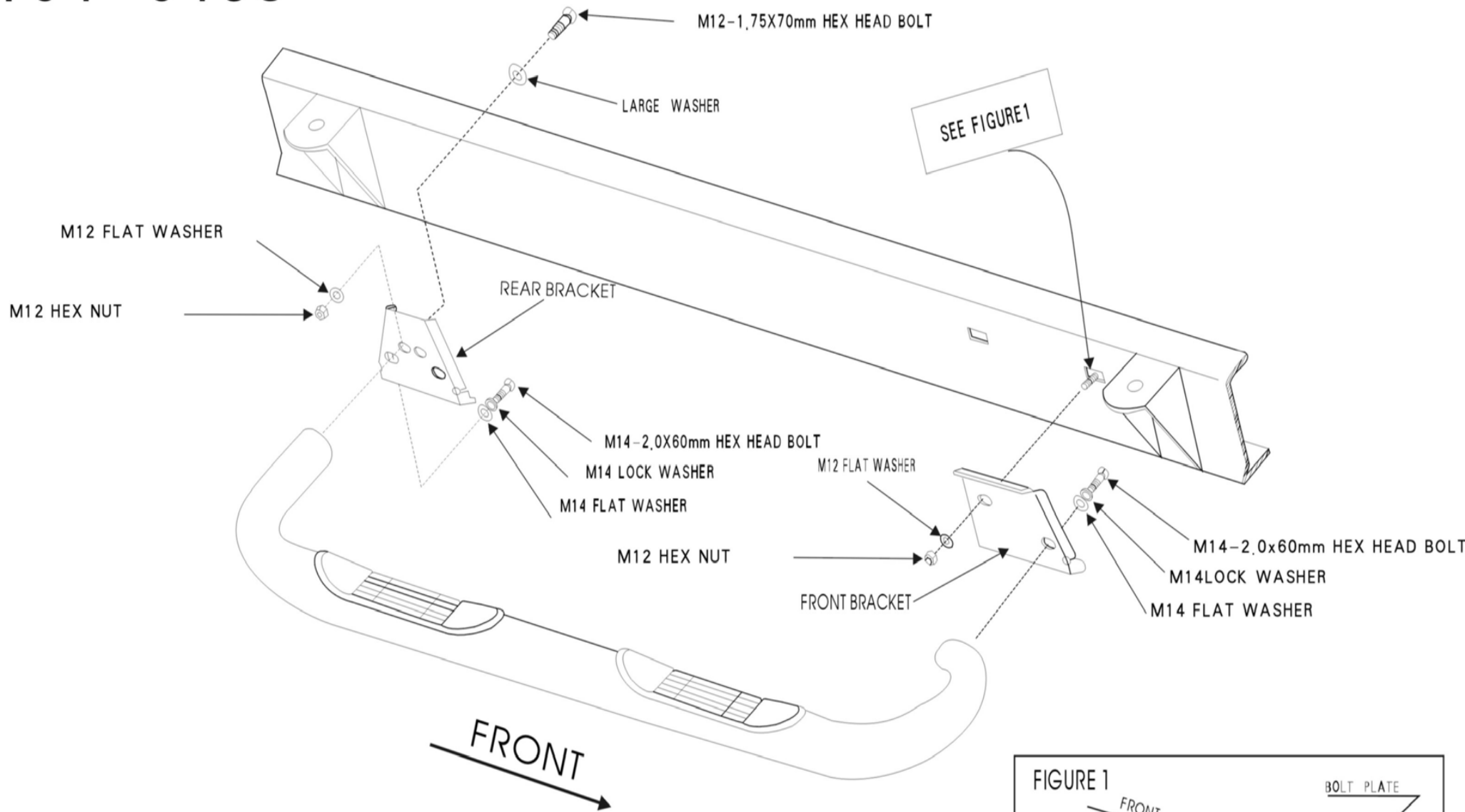
STEP 3. Attach the front and rear bracket as shown in figure.

Note: For access to front mount on driver side, loosen brake line and remove from plastic clip. Reinstall once step bars are in place and secure.

STEP 4. Attach step bars to mounting brackets as shown in figure. Check to be sure step bar is properly aligned with the truck. Tighten and torque M14 bolts to 40-45 ft-lbs.

0104-0498			
Item No	Part Number	Part Description	QTY
1	0104-0498-01	STEP BAR - DRIVER SIDE	1
2	0104-0498-02	STEP BAR - PASSENGER SIDE	1
3	0104-0498-03	BRACKETS - FRONT - DRIVER SIDE	1
4	0104-0498-04	BRACKETS - FRONT - PASSENGER SIDE	1
5	0104-0498-05	BRACKETS - REAR	2
6	0104-0498-06	BOLT PLATE	2
7	0104-0498-11	1/2" -13 X 2.75" HEX HEAD BOLT	2
8	0104-0498-12	1/2" LOCKER WASHER	4
9	0104-0498-13	1/2" X FLAT WASHER	8
10	0104-0498-14	1/2" X13 HEX NUT	4
11	0104-0498-15	1/2" X 1.81" X 3/16" THICK FLAT WASHER	2
12	0104-0498-16	M14 X 2.5" HEX HEAD BOLT	4
13	0104-0498-17	M14 X 1/2" LOCK WASHER	4
14	0104-0498-18	M14 X 1/2" FLAT WASHER	4
TOOLS REQUIRED			
19MM SOCKET / WRENCH			
3/4" SOCKET / WRENCH			
RATCHET			
TORQUE WRENCH			

0104-0498



PASSENGER SIDE INSTALLATION SHOWN-DRIVER SIDE OPPOSITE