

0701-0334

04-10 Isuzu I-Series Crew Cab

Components List:

- 2 – Stainless steel oval step bars
- 2 – Front/Center Driver Bracket
- 2 – Front/Center Passenger Bracket
- 2 – Rear Driver/Passenger Bracket
- 6 – Backing plate

Parts List:

- 12 – M8 x 35mm Hex Head Bolts
- 24 – M8 Flat Washers
- 36 – M8 Lock Washers
- 24 – M8 Hex Nut
- 6 – U Bolt
- 12 – M10 button head bolt
- 12 – M10 lock washers
- 12 – M10 Flat washers

Installation Instruction:

1. Verify all the parts from the list above are present and accounted for. Please read instructions completely before starting.
2. Verify passenger and driver side bracket.
3. Locate the round holes on rocker panel for bracket installation. Insert M8 hex nut on the longer end of U-bolt. Insert U-bolt through the first hole and out through the second hole. Install M8 hex nut on shorter end of U-bolt after it comes through second hole in the rocker panel. This will help prevent the U-bolt from falling into the rocker panel. Remove the hex nut on the longer end of the U-bolt and position the top flange of the bracket onto the longer end of the U-bolt. Secure with M8 bolt set as shown. Leave loose. Remove the hex nut on the shorter end of the U-bolt. Position bracket and secure with M8 bolt set as shown. Repeat for all brackets. See Figure 1. 2. 3.

4. Secure the backing plates to the bracket using M8 bolt set as shown and leave loose. The backing plate will clamp the bracket and pinch weld together. See Figure 1. 2. 3.
5. Place oval step bars on brackets. Each step bar is marked driver and passenger.
6. Assemble with M10 button head bolts and M10 washers. 2 bolts per bracket, 6 bolts per bar. See Figure 4.

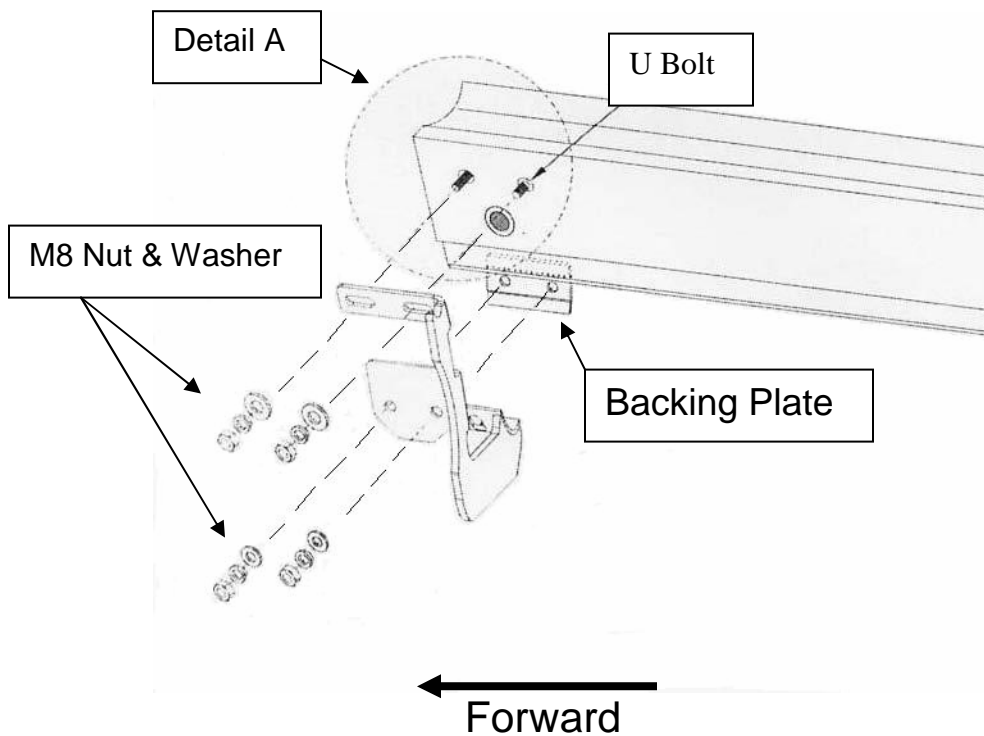


Figure 1. Passenger Side Front Bracket

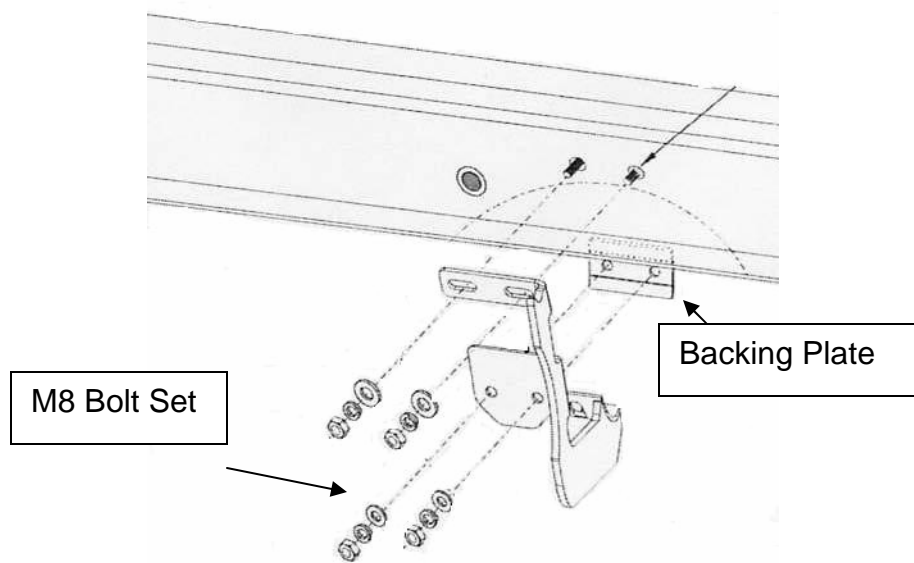


Figure 2. Passenger Side Center Bracket

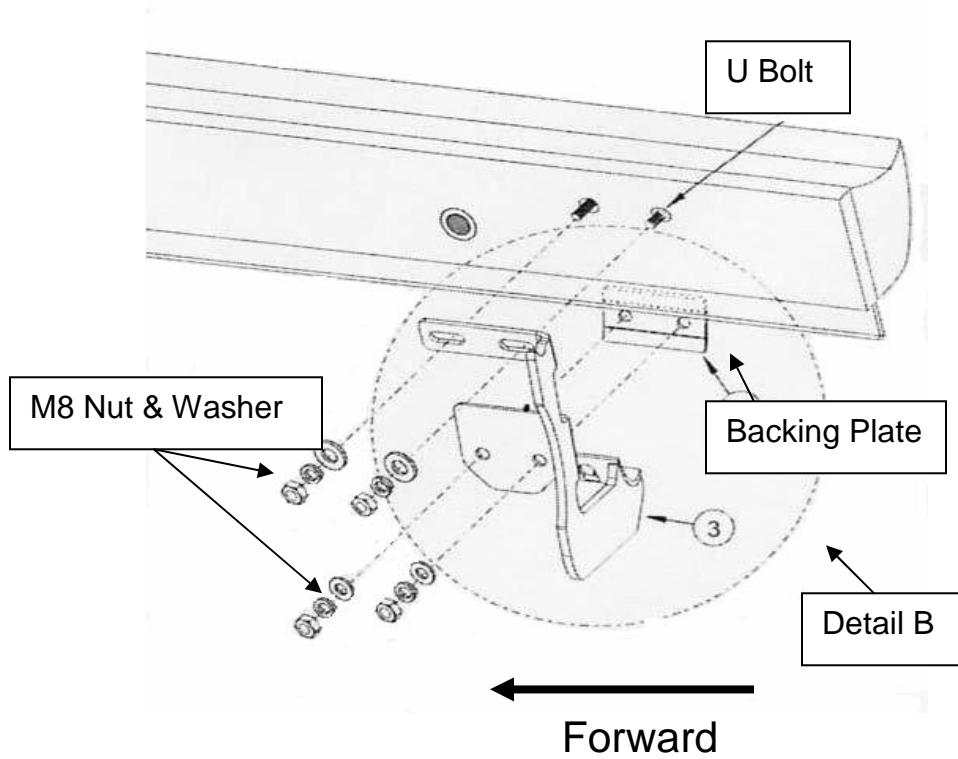


Figure 3. Passenger Side Rear Bracket

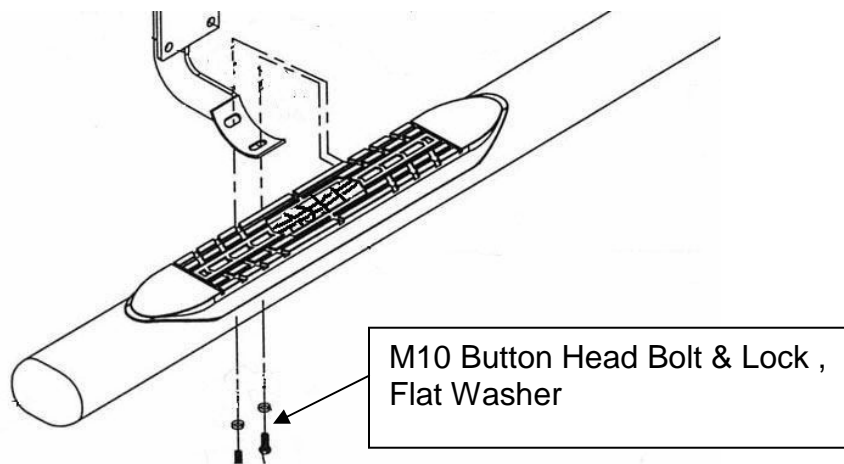
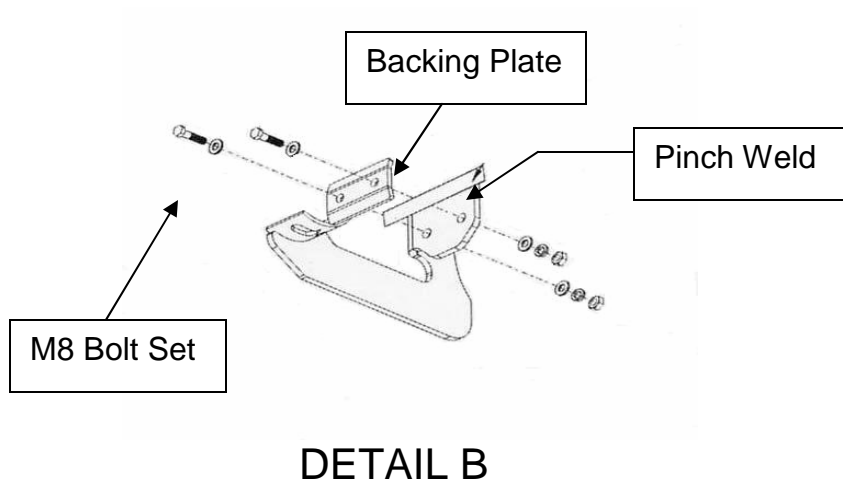
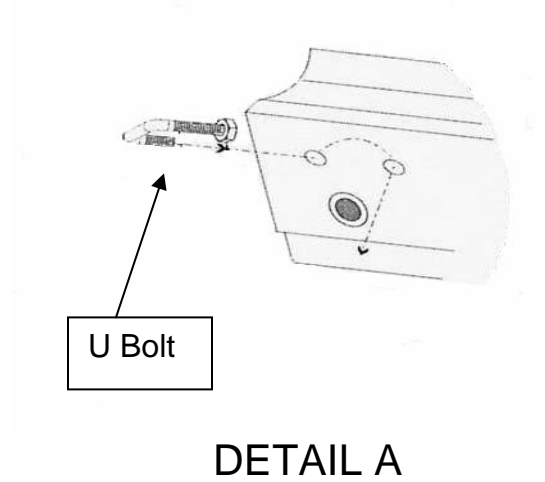


Figure 4.Installation View of Bracket & Bar