

0702-0111

1998-01 Dodge Ram 1500/2500/3500 Quad Cab

Components List:

- 2 – Stainless steel oval step bars
- 2 – Front Bracket – Driver & Passenger Side
- 2 – Rear Bracket – Driver & Passenger Side
- 4 – Support Brace
- 4 – Bolt Plate

Parts List:

- 4 – M12-1.75 x 120mm Hex Bolt
- 4 – M12 Flat Washer
- 4 – M10-1.25 x 30mm Hex Head Bolts
- 12 – M10 Flat Washers
- 8 – M10 Lock Washers
- 8 – M10 Hex Nut
- 4 – Plastic washers
- 8 – M10 button head bolt
- 8 – M10 lock washers
- 8 – M10 Flat washers

Installation Instructions:

1. Remove contents from box and check for damage. Verify all the parts from the list above are present and accounted for. Please read instructions completely before starting.
2. Remove existing body mount bolts as shown (**see Fig. 1 and Fig. 2**).
3. Install front and rear passenger brackets as shown using M12-1.75 x 120mm Hex Bolt (**see Fig 1 and Fig. 2**).
4. Attach plastic washer to bolt plate. Insert bolt plate into hole on inside wall of rocker panel (**see Fig. 3**). Connect support brace to bolt plate and main front bracket.

5. Place passenger side step bar on brackets. Each step bar is marked driver and passenger.
6. Assemble with M10 button head bolts and M10 washers. 2 bolts per bracket, 4 bolts per bar (see Fig 4).
7. Repeat installation for driver side.

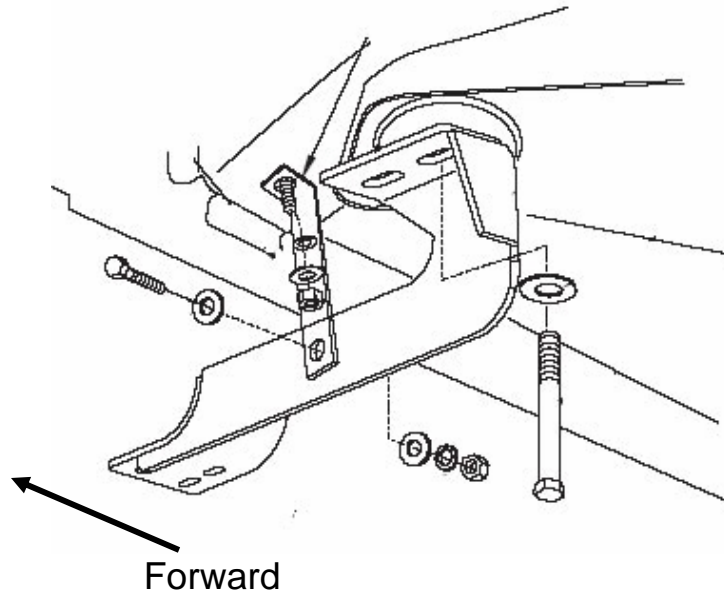


Figure 1. Passenger Side – Front Bracket

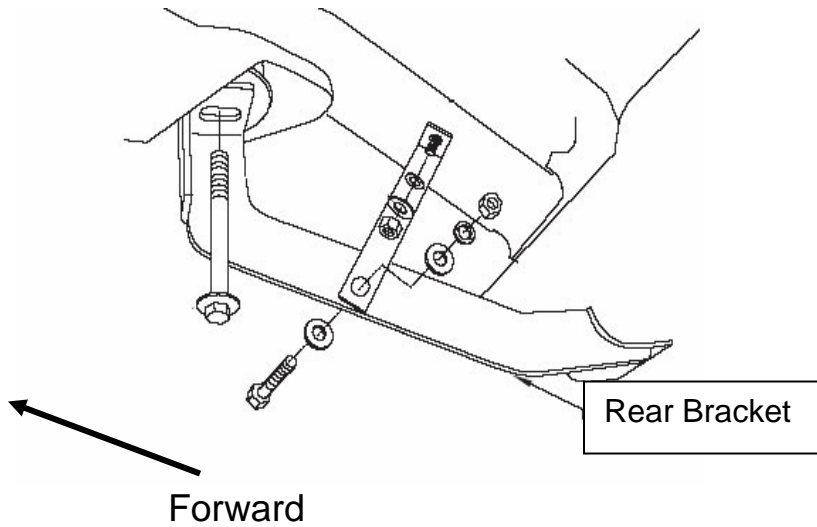


Figure 2. Passenger Side – Rear Bracket

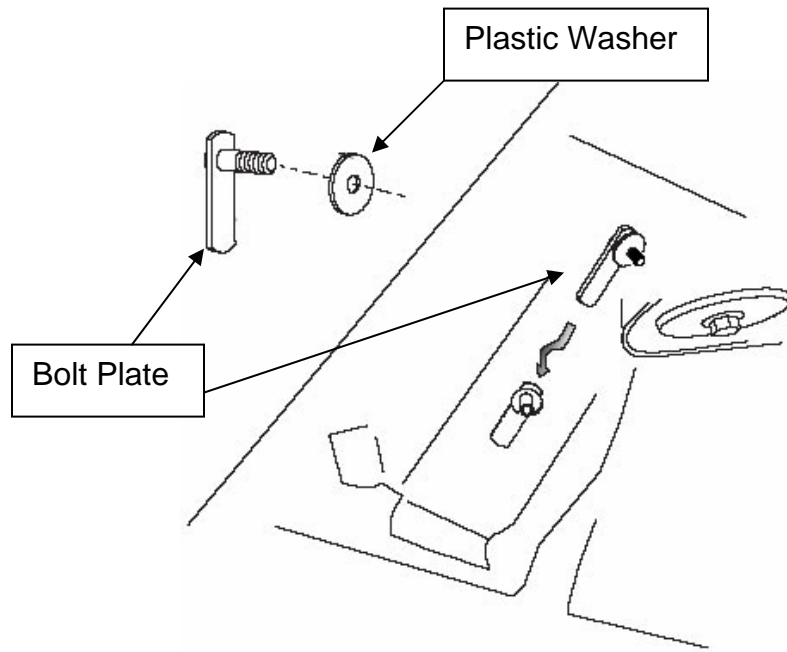


Figure 3. Installation View of Bracket & Bar

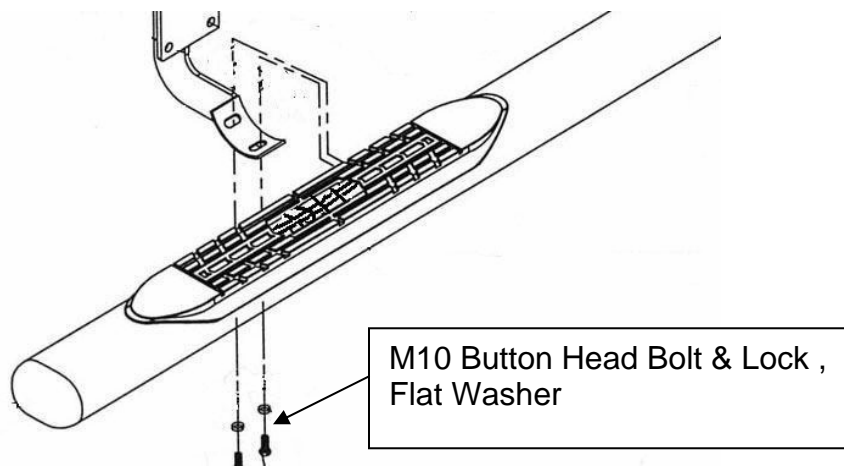


Figure 4. Installation View of Bracket & Bar