

0702-0346

2005-10 Mitsubishi Raider – Extended Cab 4 Dr.

Components List:

- 2 – Stainless steel oval step bars
- 2 – Front Bracket – Driver & Passenger Side
- 2 – Rear Bracket – Driver & Passenger Side
- 2 – Front Support Brace
- 2 – Rear Support Brace

Parts List:

- 4 – M12-1.75 x 110mm Hex Bolt
- 4 – M12 Flat Washer
- 4 – M10-1.25 x 30mm Hex Head Bolts
- 8 – M10 Flat Washers
- 4 – M10 Lock Washers
- 4 – M10 Hex Nut
- 4 – M6 x 25 mm Self Drilling Bolt
- 8 – M10 button head bolt
- 8 – M10 lock washers
- 8 – M10 Flat washers

Installation Instructions:

1. Remove contents from box and check for damage. Verify all the parts from the list above are present and accounted for. Please read instructions completely before starting.
2. Remove existing body mount bolts as shown (see Fig. 1 and Fig. 3).
3. Install front and rear passenger brackets as shown using M12-1.75 x 110mm Hex Bolt (see Fig 1 and Fig. 3).
4. Install support brace to bracket as shown. Hand tighten. Use a drill motor with socket driver, attach support brace to vehicle body as shown (see Fig. 2).

5. Place passenger side step bar on brackets. Each step bar is marked driver and passenger.
6. Assemble with M10 button head bolts and M10 washers. 2 bolts per bracket, 4 bolts per bar (see Fig 4).
7. Repeat installation for driver side.

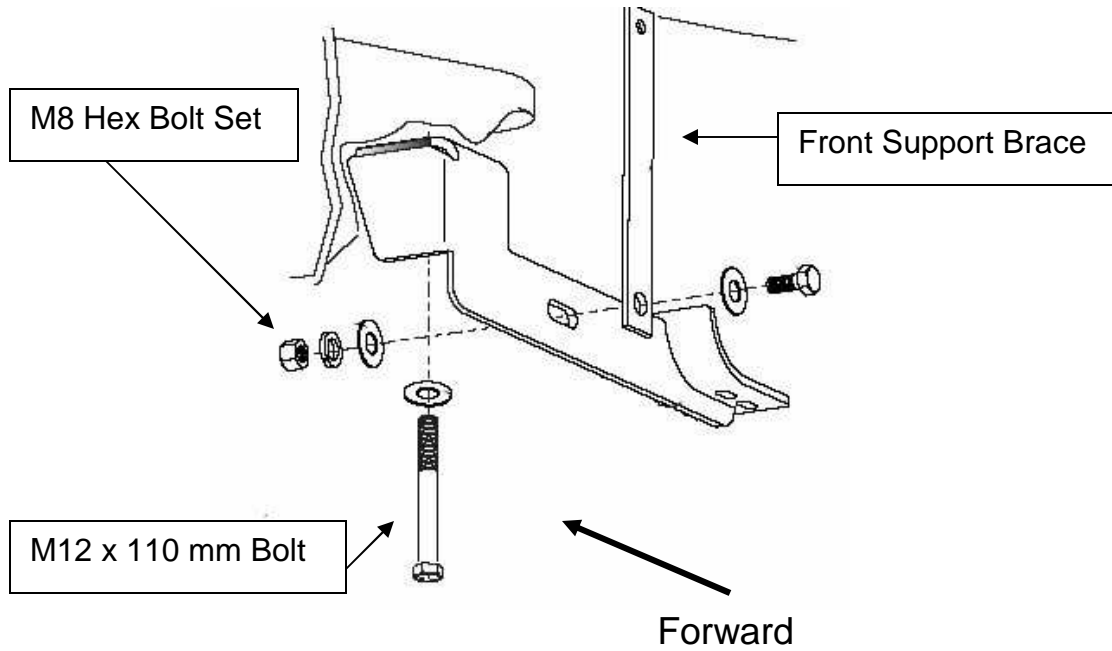


Figure 1. Passenger Side – Front Bracket

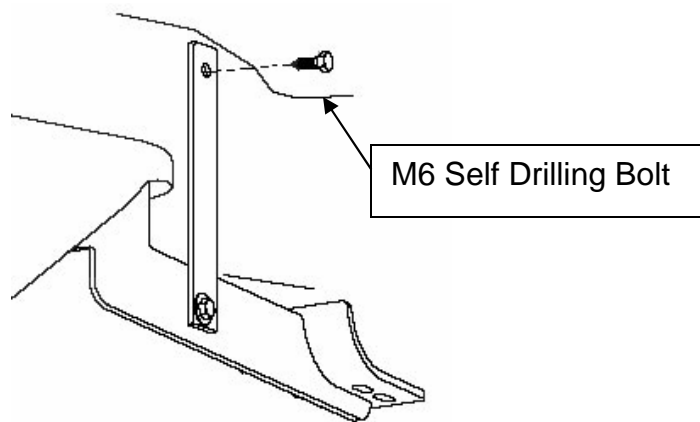


Figure 2. Passenger Side Support Brace

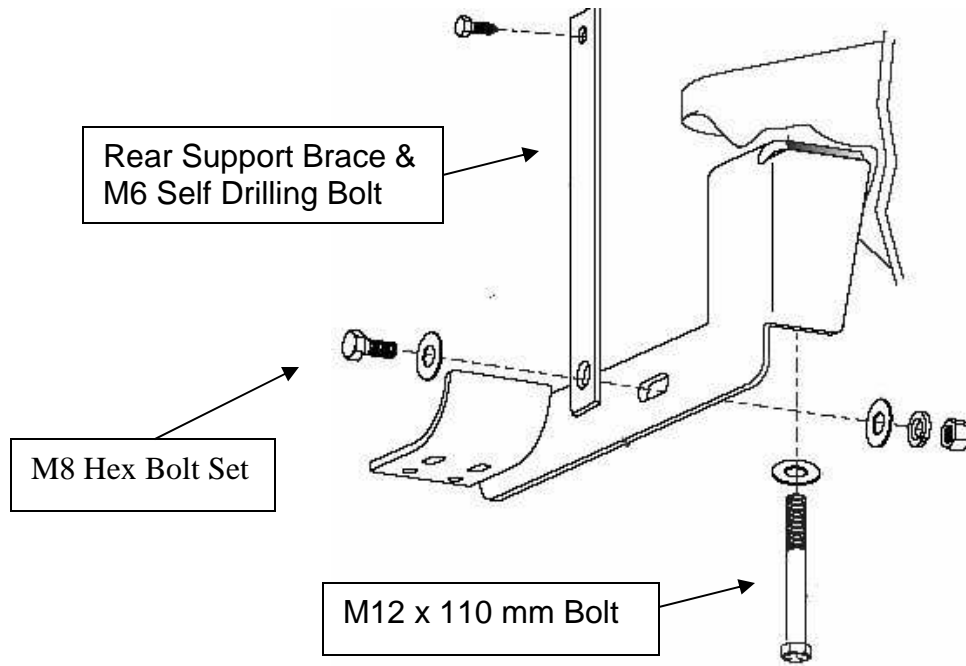


Figure 3. Installation View of Bracket & Bar

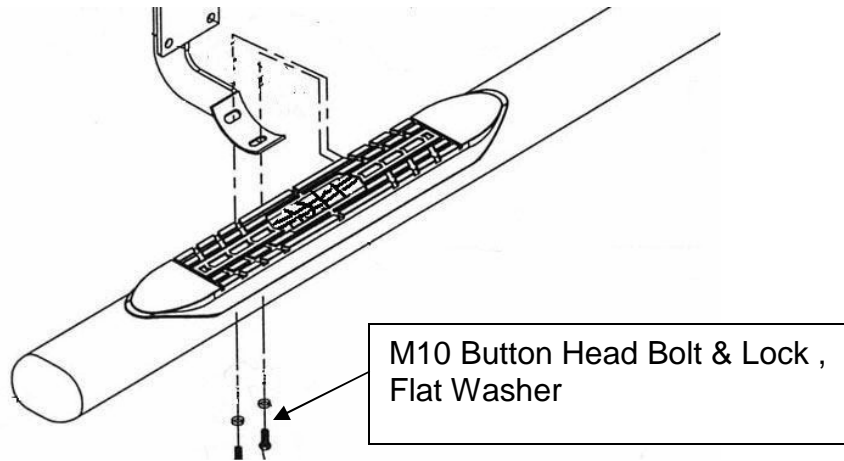


Figure 4. Installation View of Bracket & Bar