

0704-0247

1999-06 Toyota Tundra Ext Cab

Components List:

- 2 – Stainless steel oval step bars
- 2 – Bracket-Driver Side
- 2 – Bracket-Passenger Side
- 1 – Large Bolt Plate
- 1 – Small Bolt Plate

Parts List:

- 2 – M12 x 45 mm hex head bolts
- 4 – M12 flat washers
- 4 – M12 lock washers
- 4 – M12 Hex Nut
- 2 – Spacer Washer
- 2 – Plastic Washer
- 8 – M10 button head bolt
- 8 – M10 lock washers
- 8 – M10 flat washers

Installation Instruction:

1. Remove contents from box and check for damage. Verify all the parts from the list above are present and accounted for. Please read instructions completely before starting.
2. Install plastic washer onto bolt plates shown (**see Fig. 1**). Install driver side bolt plate into hole in frame. The plastic washer prevents the bolt from falling into the frame and keeps the bolt straight.
3. Install driver side front bracket as shown. Hand tighten (**see Fig 1**).
4. Insert M12 x 45mm hex head bolt w/ spacer washer into oval slot on backside of frame for rear bracket. Install driver rear bracket as shown. Hand tighten (**see Fig 2**).
5. Place driver side step bar on brackets. Each step bar is marked driver and passenger.
6. Assemble with M10 button head bolts and M10 washers. 2 bolts per bracket, 4 bolts per bar (**see Fig 3**). Hand tighten.
7. Repeat installation for passenger side.

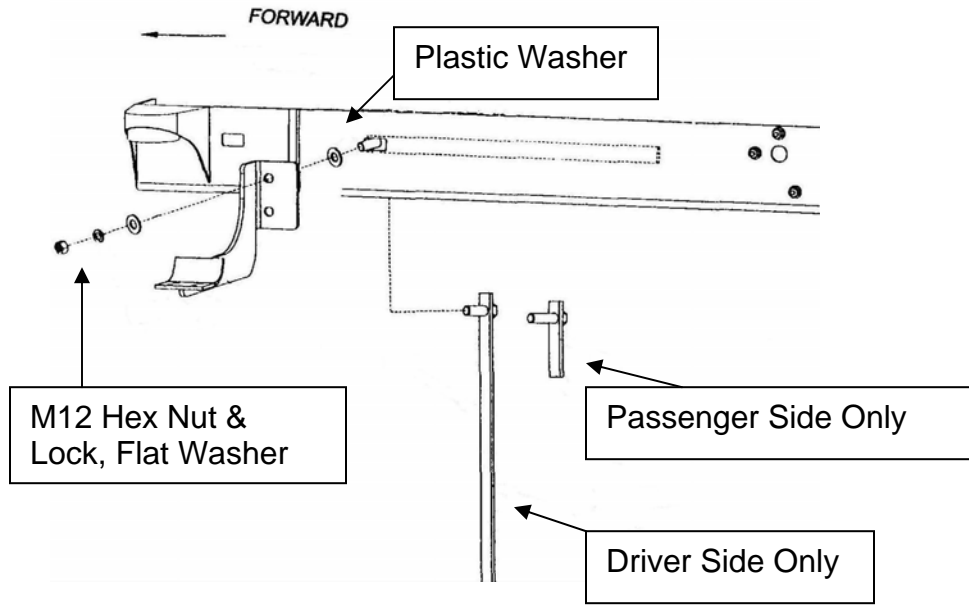


Figure 1. Driver Side – Front Bracket

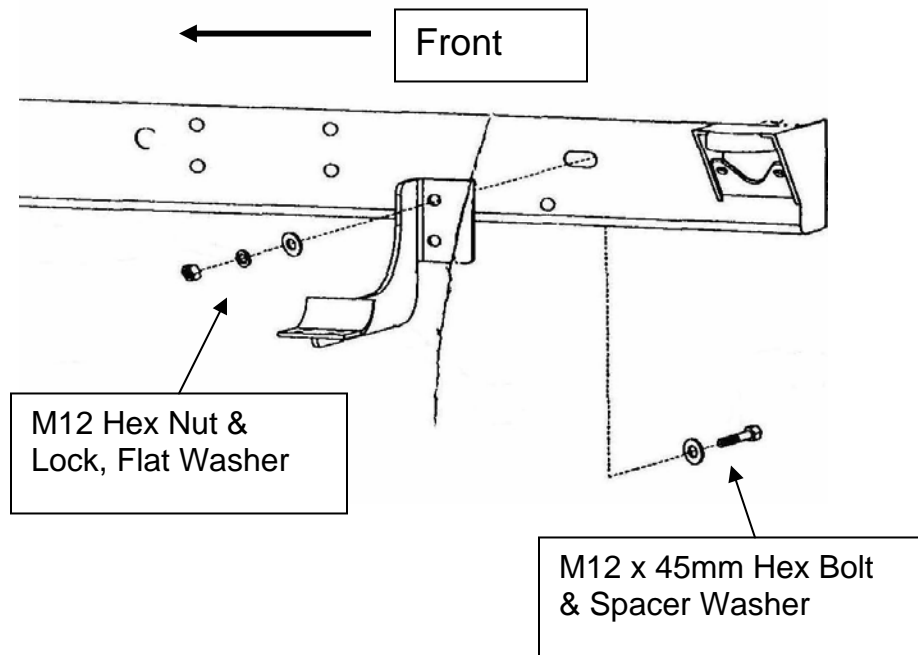


Figure 2. Driver Side – Rear Bracket

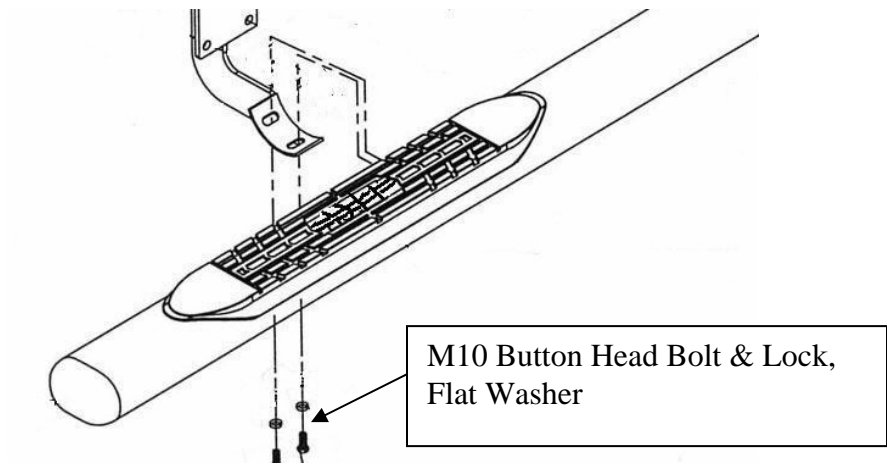


Figure 3. Installation View of Bracket & Bar