

0705-0192

2001-06 Acura MDX  
2003-08 Honda Pilot

### Components List:

- 2 – Stainless steel oval step bars
- 2 – Brackets – Driver Side
- 2 – Brackets – Passenger Side

### Parts List:

- 16 – M8-1.25 x 25 mm hex head bolts
- 16 – M8 flat washers
- 16 – M8 lock washers
- 16 – M8-1.25 Flange Nut
- 8 – M10 button head bolt
- 8 – M10 lock washers
- 8 – M10 flat washers

### Installation Instruction:

1. Remove contents from box and check for damage. Verify all the parts from the list above are present and accounted for. Please read instructions completely before starting.
2. Install driver side brackets as shown (**see Fig 1**). Attach to existing holes in body panel under the vehicle using 4 M8-1.25 x 25mm hex head bolts and washers per bracket. Hand tighten.
3. Place driver side step bar on brackets. Each step bar is marked driver and passenger.
4. Assemble with M10 button head bolts and M10 washers. 2 bolts per bracket, 4 bolts per bar (**see Fig 2**). Hand tighten.
5. Repeat installation for passenger side.

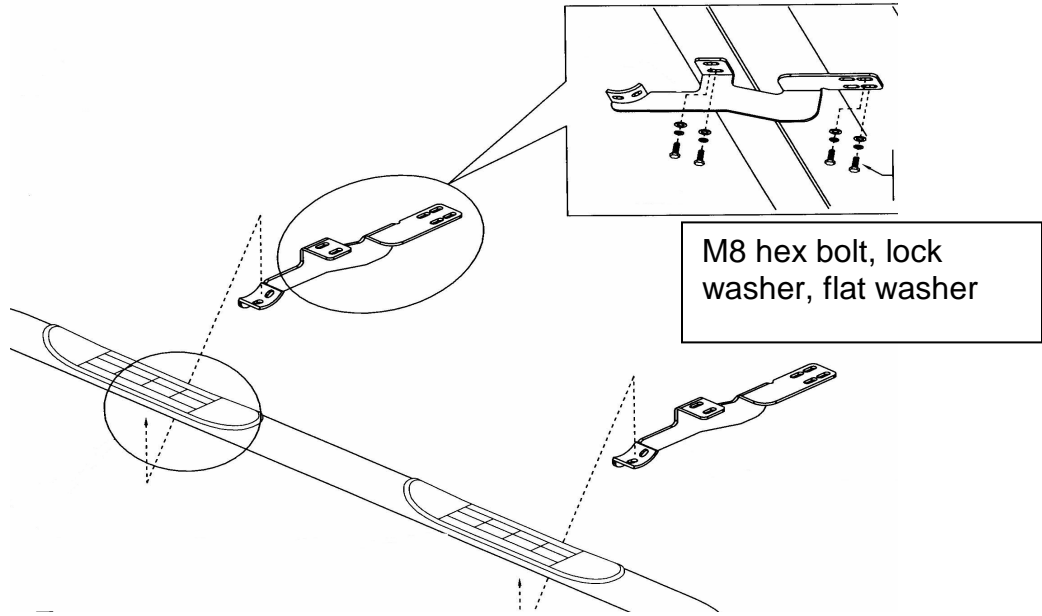


Figure 1. Installation View of Driver Side Shown

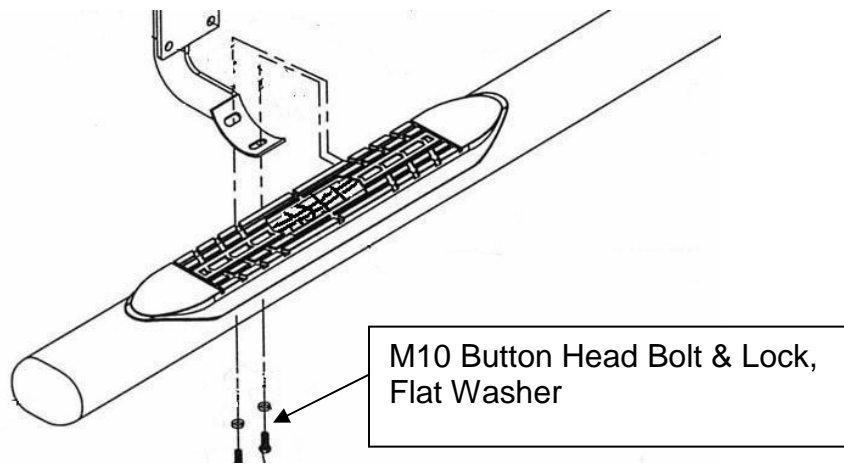


Figure 2. Installation View of Bracket & Bar