

0801-0087

1999-10 Chevy/GMC 1500/2500LD Regular Cab
2001-10 Chevy/GMC 2500HD/3500 Regular Cab

Components List:

- 2 – Stainless steel oval step bars
- 2 – Front Bracket – Driver & Passenger Side
- 2 – Rear Bracket – Driver & Passenger Side
- 4 – Rubber gasket

Parts List:

- 8 – M10 Button head bolt
- 8 – M10 Lock washers
- 8 – M10 Flat washers

Installation Instruction:

1. Verify all the parts from the list above are present and accounted for. Please read instructions completely before starting.
2. Remove existing body mount bolts as shown. **DO NOT DISCARD! (Fig. 1)**
3. Install front and rear brackets as shown (**Fig. 1 & 2**). Hand tighten.
4. Place oval step bars on brackets. Each step bar is marked driver and passenger.
5. Assemble with M10 button head bolts and M10 lock washers. 2 bolts per bracket, 4 bolts per bar (**see Fig 3**). Hand tighten.

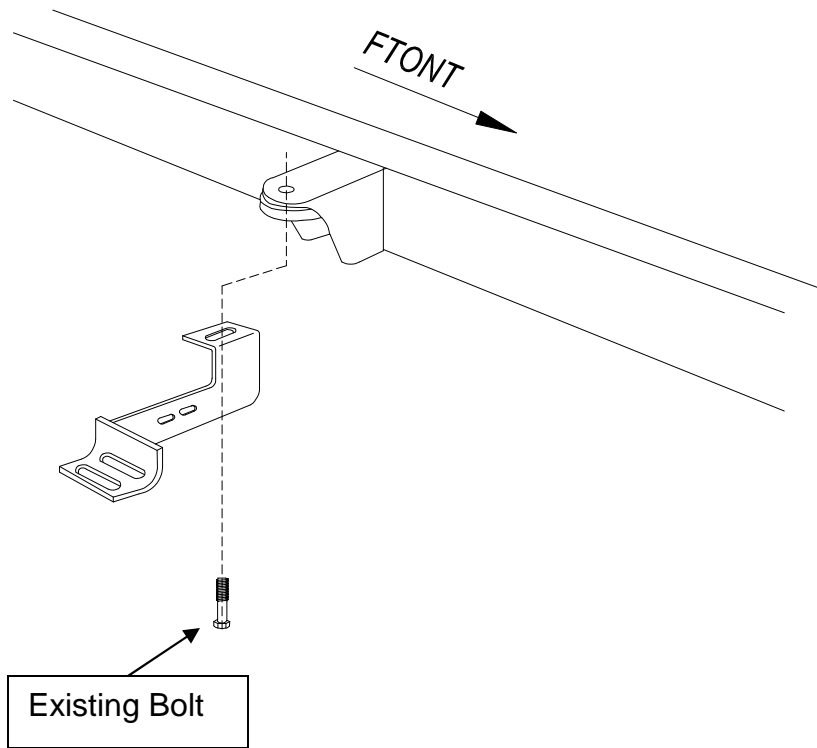


Figure 1. Passenger Side Rear Bracket Shown

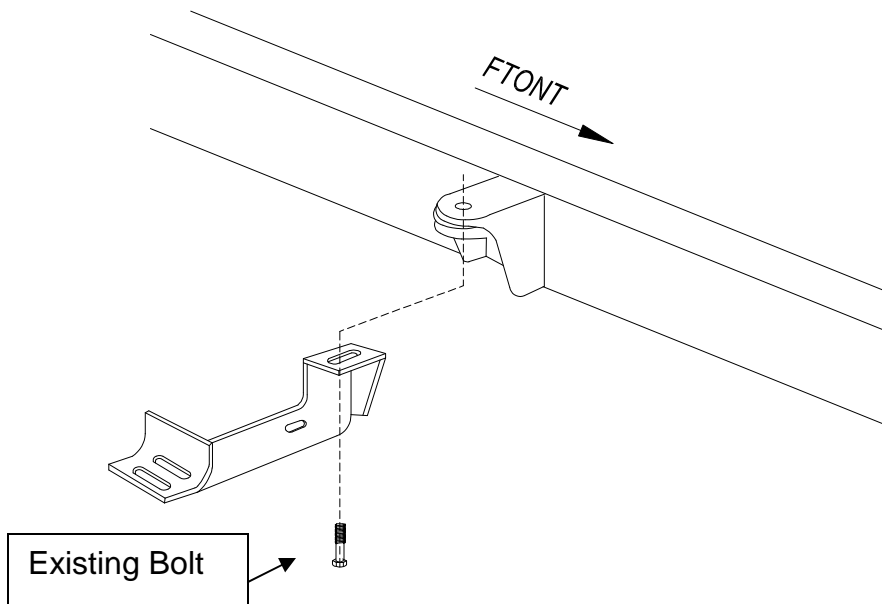


Figure 2. Passenger Side Front Bracket Shown

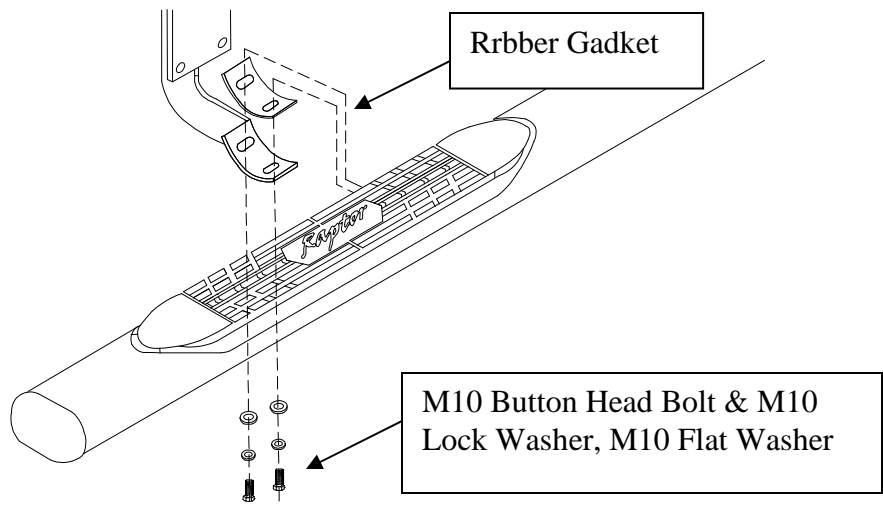


Figure 3. Installation View of Bracket & Bar