

0900-0001

LICENSE PLATE RELOCATOR

Components List:

- 1 – Bracket
- 2 – Plastic Clips
- 4 – M6 * 25 mm Flat Head Screw
- 4 – Rubber Bumpers

Installation Instruction:

1. Remove all contents from the received box .Also verify all brackets and bolts against the parts list.
2. Read installation manual and installation drawing completely. Understand all brackets and bolts before installation.
3. Install plastic clips through license plate bracket. Place rubber bumpers on bracket face as shown to keep bracket from contacting the bull bar and license plate. See figure 1.
4. Remove center skid plate bolt from bull bar assembly and install license plate bracket against cross tube and on top of skid plate. Reinstall center skid plate bolt through license plate bracket and tighten. See figure 2.
5. Attach license plate to bracket as shown. See figure 1. Attach bull bar to vehicle according to the instructions supplied with the bull bar

0900-0001

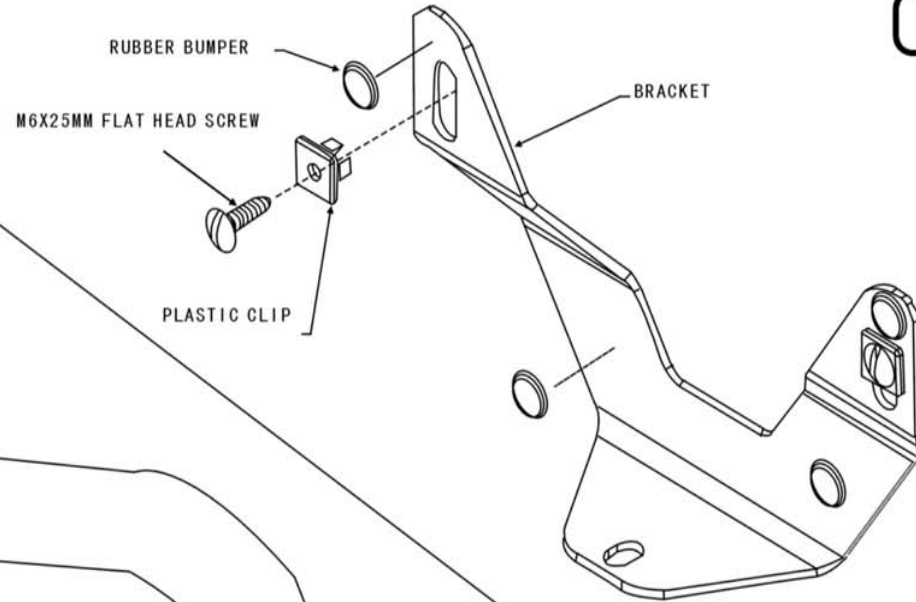


FIGURE 1

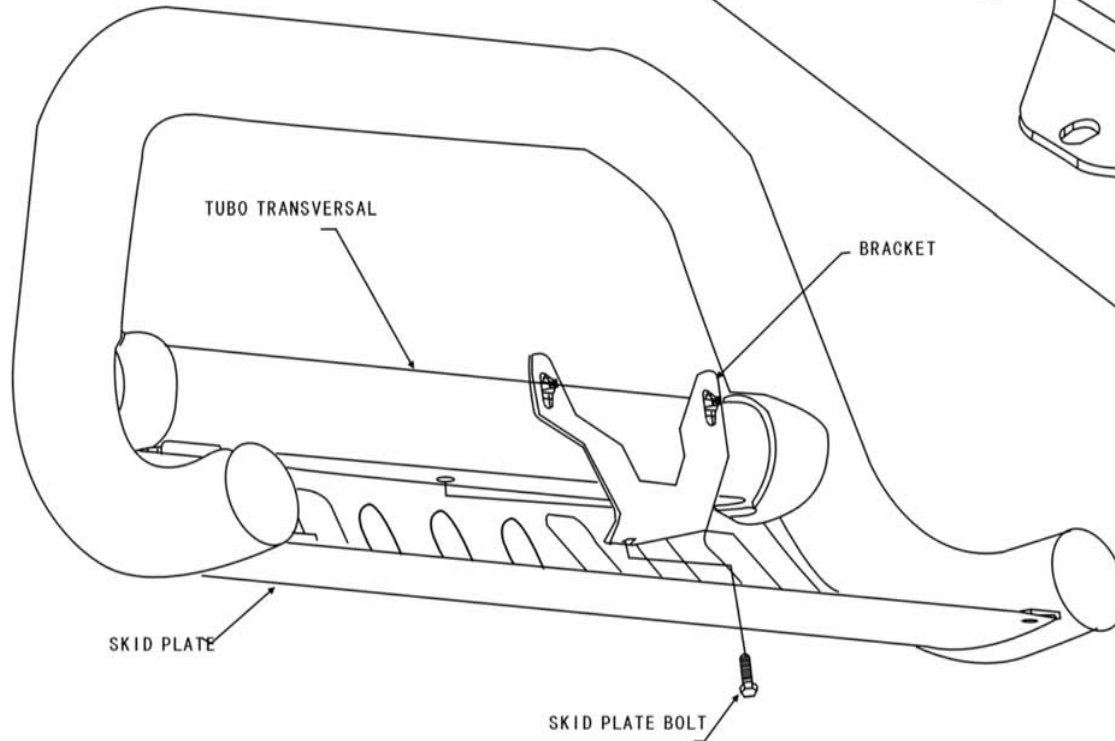


FIGURE 2