

0901-0011 BULL BAR

Components List:

- 1 – Bull Bar Assembly
- 2 – Bracket, Driver and Passenger Side
- 2 – Plastic Plug
- 4 – Rubber Bumper

PARTS LIST:

- 2 – Bolt plate
- 8 – M12 Flat Washer
- 6 – M12 Lock Washer
- 2 – M12 Hex Nuts
- 4 – M10 * 30 mm Hex Head Bolt
- 8 – M10 Flat Washer
- 4 – M10 Lock Washer
- 4 – M10 Hex Nuts
- 2 – M12-1.75 * 40 mm Hex Head Bolt
- 2 – M12 Hex Nuts

Installation Instruction:

1. Remove all contents from the received box and check tube for any dent. Also verify all brackets and bolts against the parts list.
2. Read installation manual and installation drawing completely. Understand all the brackets and bolts before installation.
3. It may be necessary to remove/relocate front license plate and license plate bracket. If local/state law requires a license plate, license plate relocation kit 0900-0001 is available.
4. From underneath vehicle, remove two hooks. Insert bolt plates through large holes and M12-1.75 * 40 mm hex bolts through small holes in bottom frame locations. Please see figure 2.
5. Attach brackets to frame using M12 flat and lock washers. Leave loose. For vehicles without two hooks a small opening may need to be cut out in the two inside indents of the air dam. See figure 3.

6. Attach bull bar to brackets using M10 bolts, flat and lock washers. Note: 1999-02 models use front and middle holes on the hoop mounting brackets. 2003-up models use middle and rear holes. See Figure 2.
7. Level and adjust bull bar as desired. Light installation: Insert threaded stud on base of the light through hole in cross tube. Using a ratchet, extension and socket for correct size of nut supplied, insert through large clearance hole in bottom of cross tube. Thread nut and washers on stud and tighten. See figure 1.
8. Fits most 6" round or rectangle lights. Some lights may require replacing included mount/isolator with rubber bumpers provided. Mounting stud of $\frac{1}{2}$ " or less required. Plug mount holes with caps provided if not installing light.

0901-0011

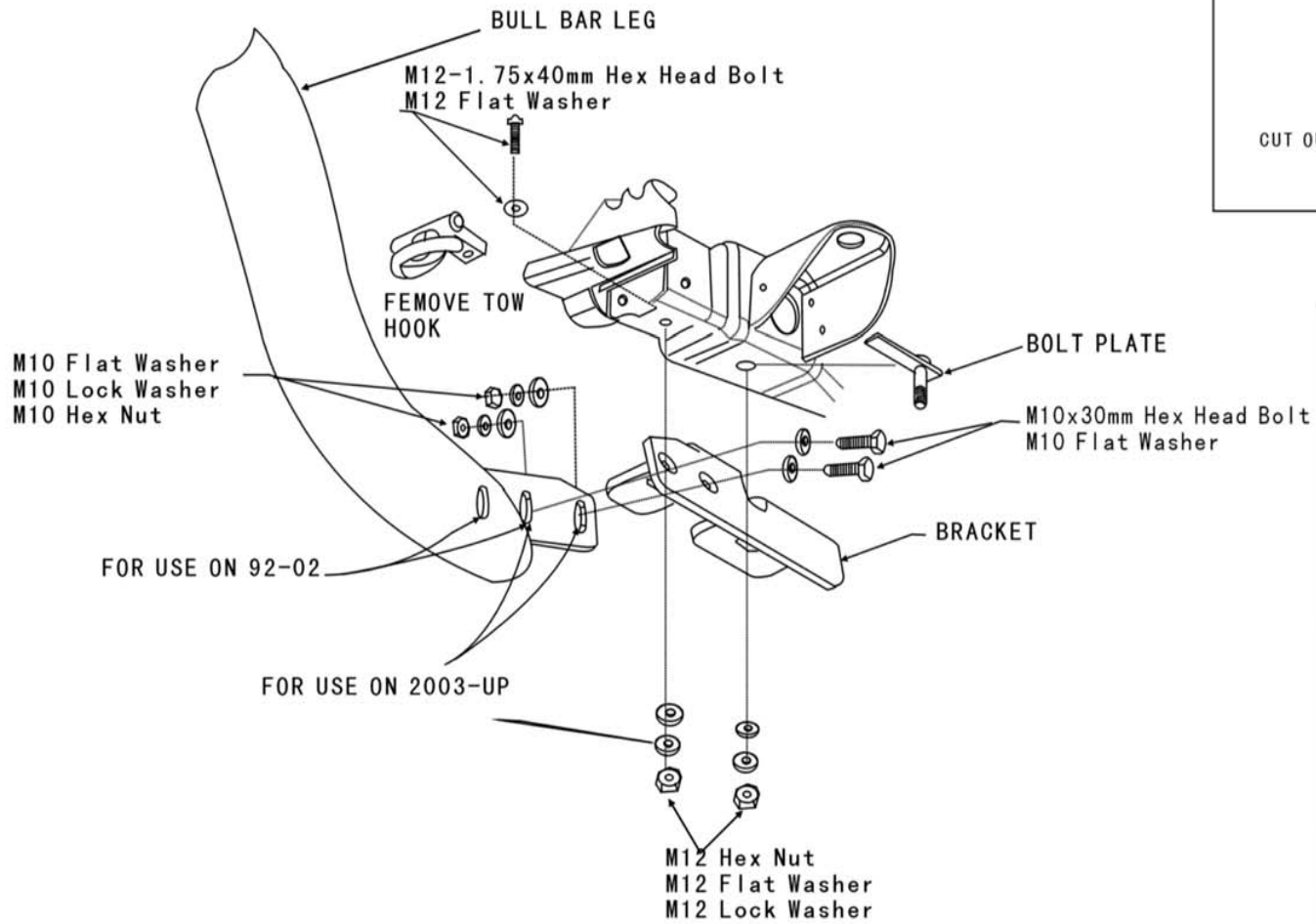


FIGURE 2 DRIVER SIDE INSTALLATION SHOWN PASSENGER SIDE OPPOSITE

