

0902-0146

2004-07 Dodge Durango Bull Bar

Components List:

- 1 – Bull Bar Assembly
- 2 – Top Bracket, Driver and Passenger Side
- 2 – Bottom Bracket, Driver and Passenger Side
- 2 – Plastic Plug
- 4 – Rubber Bumper

PARTS LIST:

- 8 – M12 * 50 mm Hex Head Bolt
- 16 – M12 Flat Washer
- 8 – M12 Lock Washer
- 8 – M12 Hex Nuts

Installation Instruction:

1. Remove all contents from the received box and check tube for any dent. Also verify all brackets and bolts against the parts list.
2. Read installation manual and installation drawing completely. Understand all brackets and bolts before installation.
3. It may be necessary to remove/relocate front license plate and license plates bracket. If local/state law requires a license plate, license plate relocation kit 0900-0001 is available.
4. Determine driver and passenger side brackets. See figure 2. Note: Tow hooks must be removed to complete installation.
5. From underneath vehicle, remove the 4 lower nuts holding the bumper frame to the main frame and the 2 body mount bolts, then attaché top brackets as shown. Attach bottom brackets using M12 bolt set as shown. Leave loose. Attach bull bar as shown.

6. Attach bull bar to brackets using M10 bolt set as shown. Make sure mount tabs on hoop are outside brackets. Center and level bull bar as desired. Light installation: Insert threaded stud on base of the light through hole in cross tube. Using a ratchet, extension and socket for correct size of nut supplied, insert through large clearance hole in bottom of cross tube. Thread nut and washers on stud and tighten. See figure 1.
7. Fits most 6" round or rectangle lights. Some lights may require replacing included mount/isolator with rubber bumpers provided. Mounting stud of ½" or less required. Plug mount holes with caps provided if not installing light.

0902-0146

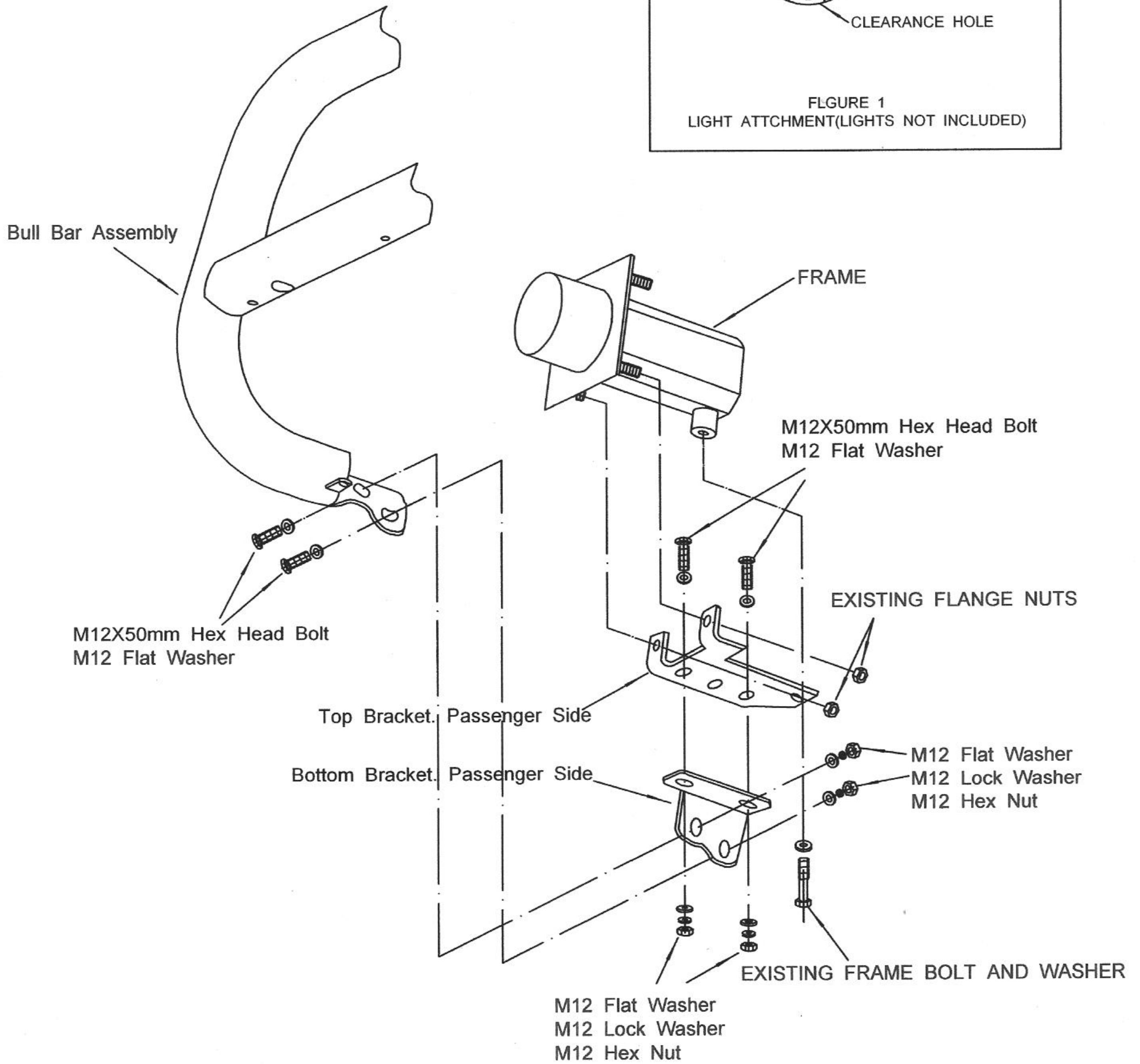
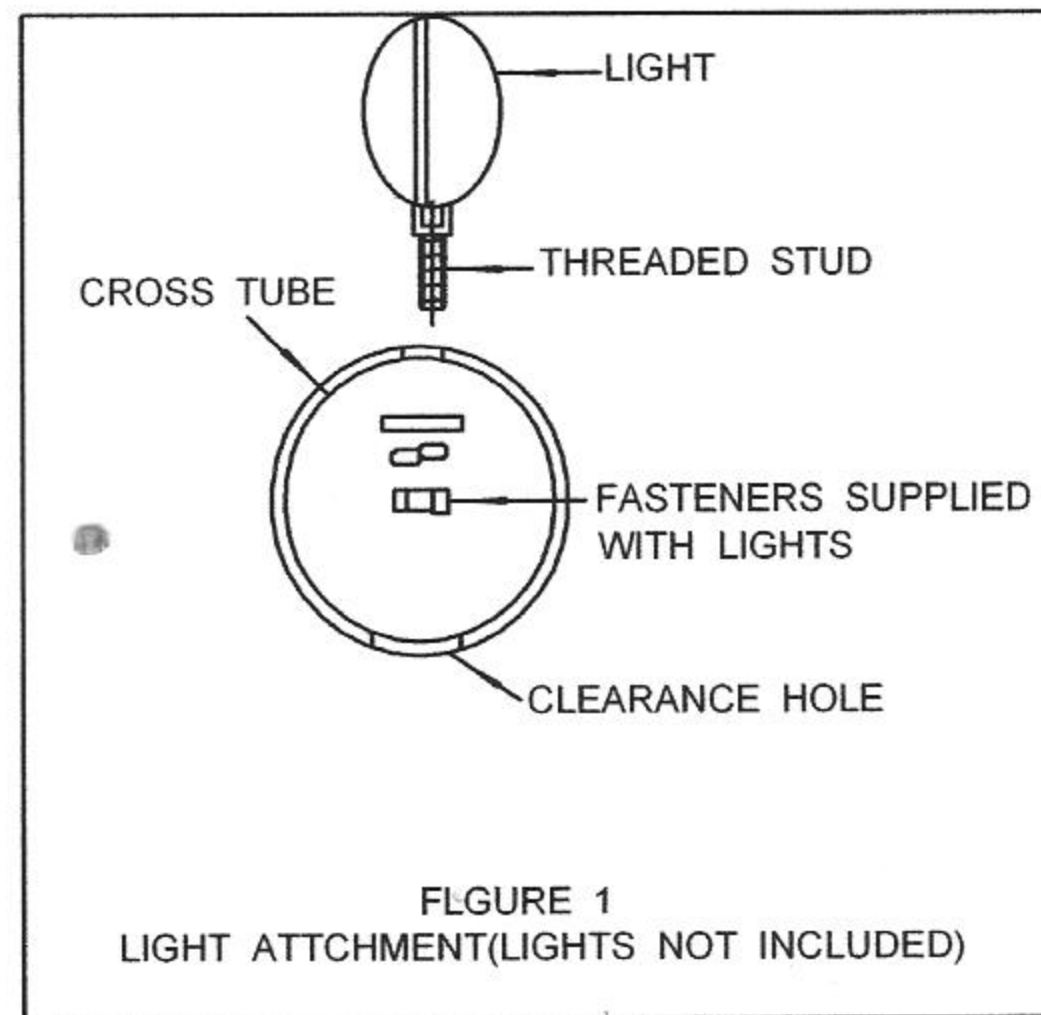


FIGURE 2

INSTALLATION VIEW OF PASSENGER SIDE SHOWN, DRIVER SIDE OPPOSITE