

0902-0203

2006-07 Dodge Ram Mega Cab Bull Bar
2006-07 Dodge Ram 2500/3500 Bull Bar

Components List:

- 1 – Bull Bar Assembly
- 2 – Bracket, Driver and Passenger Side
- 2 – Plastic Plug
- 4 – Rubber Bumper

PARTS LIST:

- 4 – M10 * 30 mm Hex Head Bolt
- 8 – M10 Flat Washer
- 4 – M10 Lock Washer
- 4 – M10 Hex Nuts
- 6 – M12-1.75 Reversible Lock Nut
- 6 – M12 Flat Washer

Installation Instruction:

1. Remove all contents from the received box and check tube for any dent. Also verify all brackets and bolts against the parts list.
2. Read installation manual and installation drawing completely. Understand all brackets and bolts before installation.
3. It may be necessary to remove/relocate front license plate and license plates bracket. If local/state law requires a license plate, license plate relocation kit 0900-0001 is available.
4. Determine driver and passenger side brackets and install as shown. See figure 2. Attach bull bar to brackets using M10 bolt set as shown. Center and level bull bar as desired. See figure 2. 3.

5. Light installation: Insert threaded stud on base of the light through hole in cross tube. Using a ratchet, extension and socket for correct size of nut supplied, insert through large clearance hole in bottom of cross tube. Thread nut and washers on stud and tighten. See figure 1.
6. Fits most 6" round or rectangle lights. Some lights may require replacing included mount/isolator with rubber bumpers provided. Mounting stud of ½" or less required. Plug mount holes with caps provided if not installing light.

0902-0203

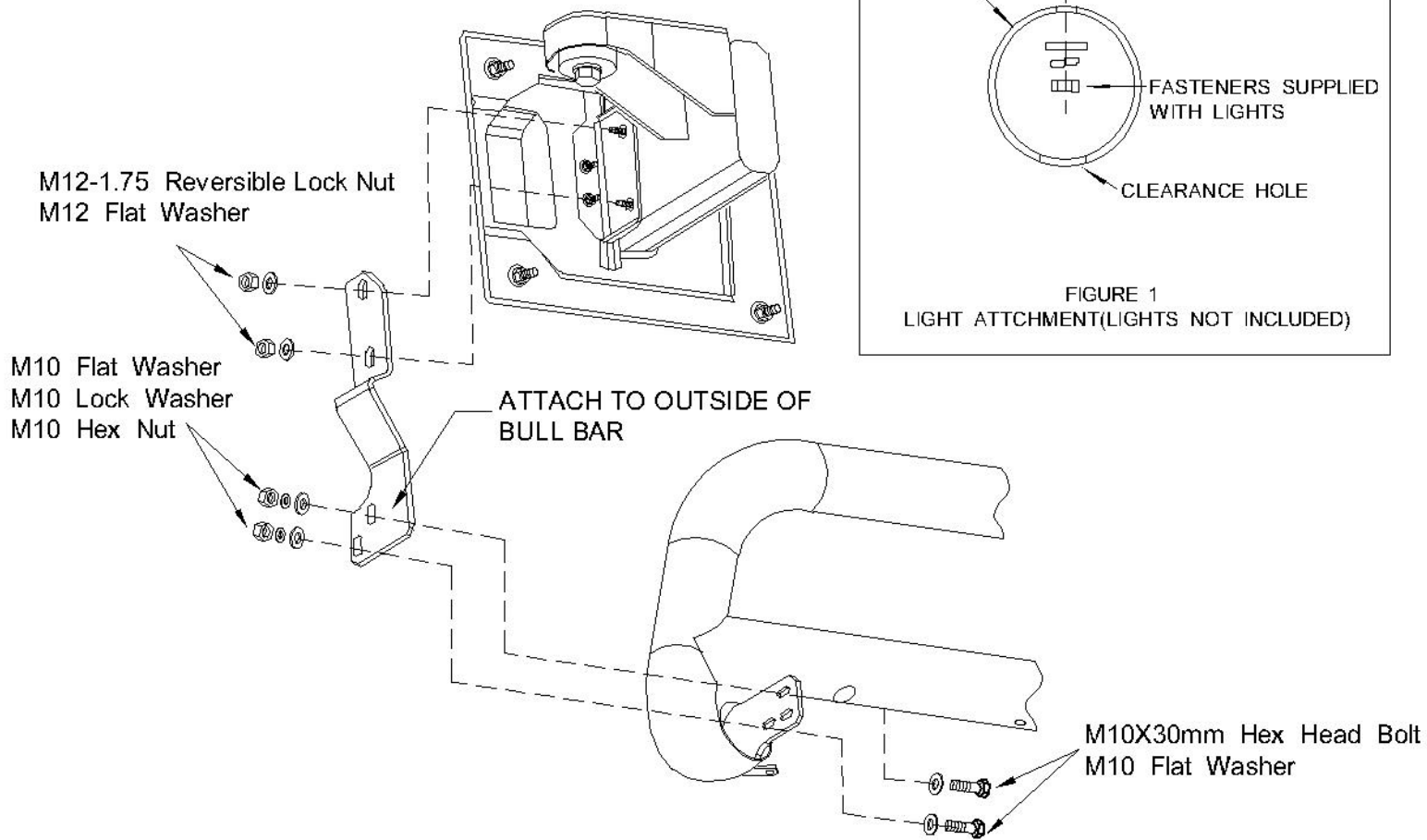


FIGURE 2

RAM 2500/3500 INSTRUCTIONS, DRIVER SIDE

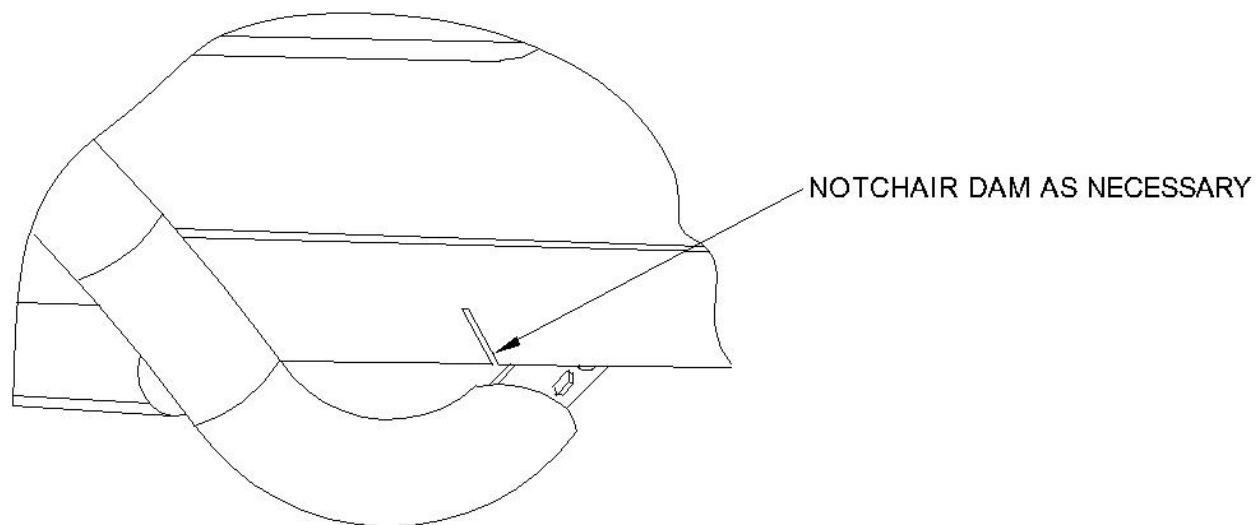


FIGURE 3