

1304-0143 Running Board

07-12 Toyota Tundra CrewMax

Components List:

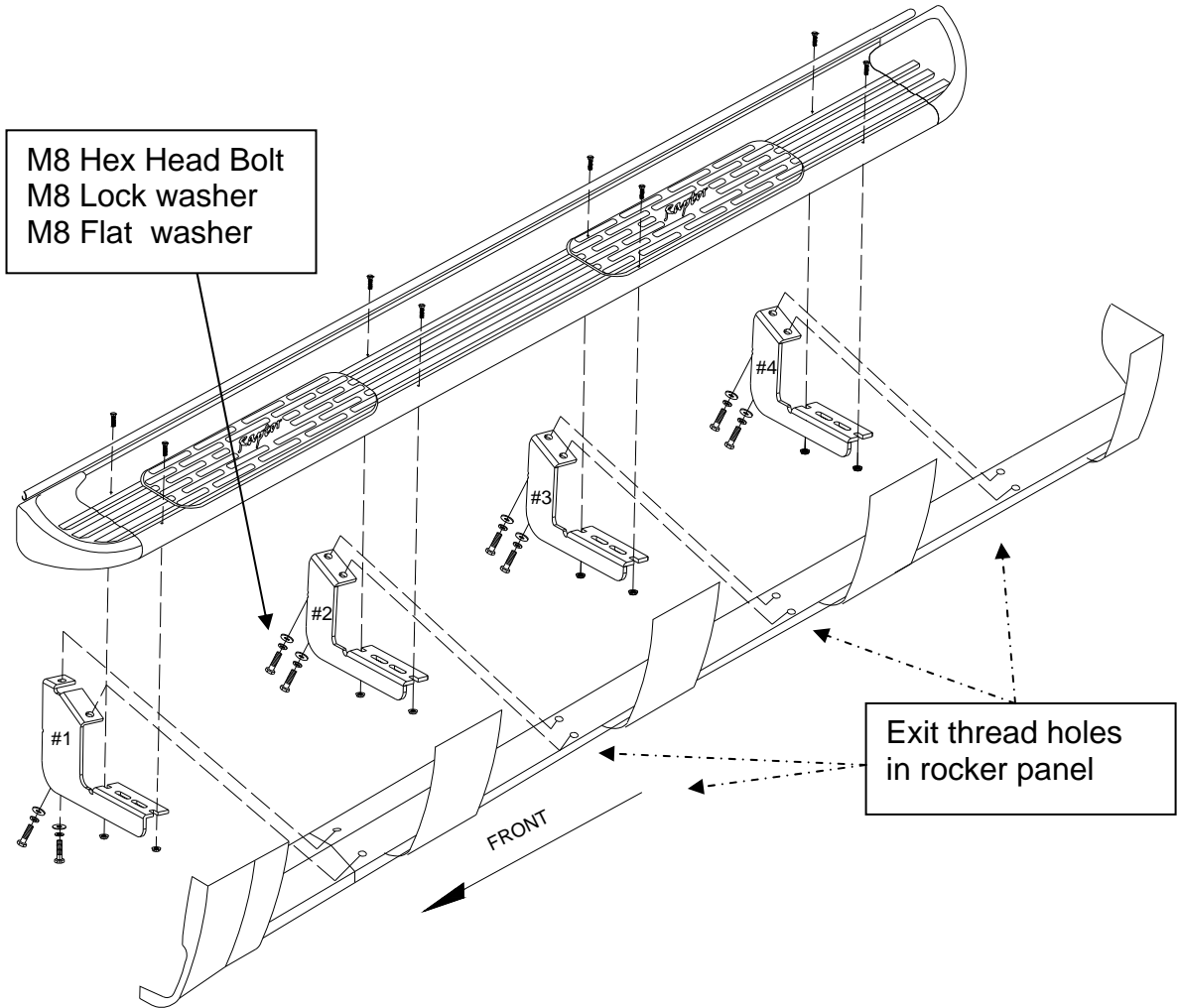
- 2 – Stainless Steel Running Board
- 2 – #1 Bracket – Driver & Passenger Side
- 2 – #2 Bracket – Driver & Passenger Side
- 2 – #3 Bracket – Driver & Passenger Side
- 2 – #4 Bracket – Driver & Passenger Side

PARTS LIST:

- 16 – M8 x 25 mm hex head bolts
- 16 – M8 Flat washers
- 16 – M8 Lock washers

Installation Instruction:

1. Remove all contents from the received box and check stainless steel tube for any dent. Also verify all brackets and bolts against the parts list.
2. Read installation manual and installation drawing completely. Understand all brackets and bolts before installation.
3. The running board should be mounted to the pinch weld and vertical wall of the rocker panel.
4. Position the step assembly snug up under the rocker panel, level the step plate and clamp the braces to the pinch weld. Use M8 Hex Head Bolt to secure the bracket (As Shown).



Driver Side Installation