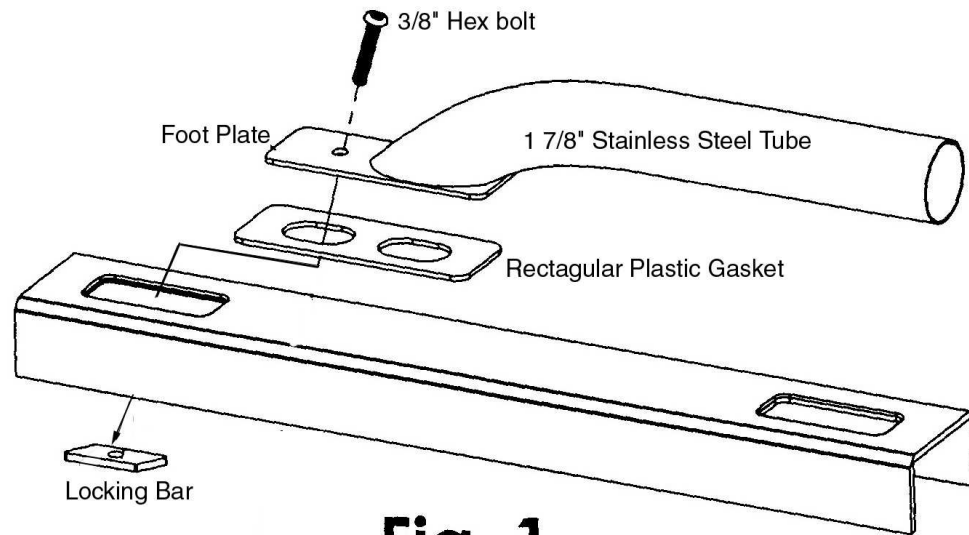


# STAKE POCKET SIDE RAIL INSTALLATION



**Fig. 1**

## Hardware Kit Includes:

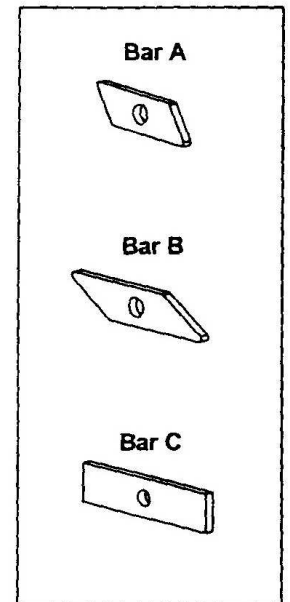
- 4 – Allen head bolts (3/8-16x 2")
- 1 – Locking bar Kit (3/8")
- 4 – Plastic footplate gaskets

## Components List:

- 2 – Stainless steel side rails

## Step by Step Installation Instructions

- STEP 1:** Read and understand instructions completely before beginning installation.
- STEP 2:** Place button head bolt through rail footplate and footplate gasket, then thread locking bar on bolt. REPEAT STEP 2 ON ALL RAIL FEET.
- STEP 3:** Carefully place rail on pick-up bed, allowing bolts and locking bars to set inside of stake pocket.
- STEP 4:** Slightly lift each end of side rail and tighten bolt securely with Allen wrench. As tightening, make sure the locking bar catches on both sides of the stake pocket hole.



For lasting quality and durability, wax rails as you wax your vehicle.