

### INSTALLATION NOTES

PROFESSIONAL INSTALLATION IS STRONGLY RECOMMENDED!

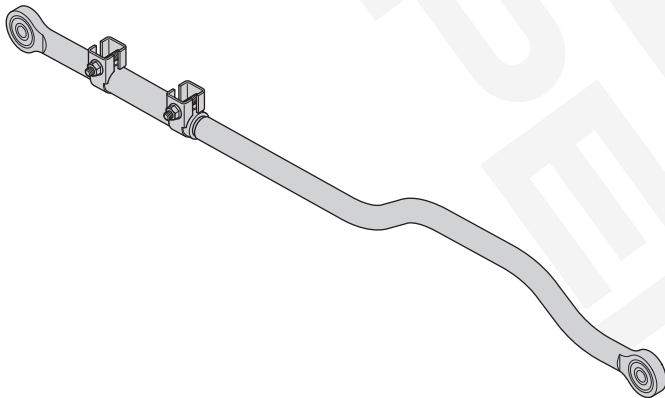
If you intend to do this installation yourself, please use extreme caution when working under a vehicle that is supported with jack stands. Serious injury or death can occur.

Read through entire installation manual to ensure that you understand all of the steps before proceeding with installation. If these instructions are not properly followed, severe frame, suspension, and tire damage may occur. Product failure or vehicle damage caused by improper installation will not be covered under warranty!

Remove all contents from the package and inspect for any damage. Also, verify that all components listed are included before you begin installation. If anything is missing or damaged please contact us at [customerservice@cyc-engineering.com](mailto:customerservice@cyc-engineering.com) - IMPORTANT: DO NOT INSTALL DAMAGED PARTS!

### COMPONENTS

Qty 1: HD Forged Adjustable Rear Track Bar



### TOOLS REQUIRED

- 21mm Socket/Wrench
- 21mm Open-End Wrench
- 1-1/2" Open-End Wrench
- Torque Wrench
- Tape Measure
- Heavy Duty Ratchet Strap
- Anti-Seize Lubricant
- Factory Service Manual

### **REMOVE REAR TRACK BAR**

1. Using a 21MM Socket/Wrench, remove the bolt connecting the rear track bar to the axle mount.
2. Using a 21MM Socket/Wrench and a 21MM Open-End Wrench, remove the bolt connecting the rear track bar to the vehicle chassis.
3. Save original hardware to be used for installation.
4. Once both bolts have been removed, you may remove the original track bar from the vehicle.

### **CENTER REAR AXLE**

Determine if the axle housing is centered with the chassis by measuring the distance between the tires and chassis, using the same points on each side of the vehicle to ensure accuracy.

If the two measurements are the same, the axle is centered. If the two measurements are different, divide the difference in half to determine the amount of required adjustment. The chassis can be shifted using the following method.

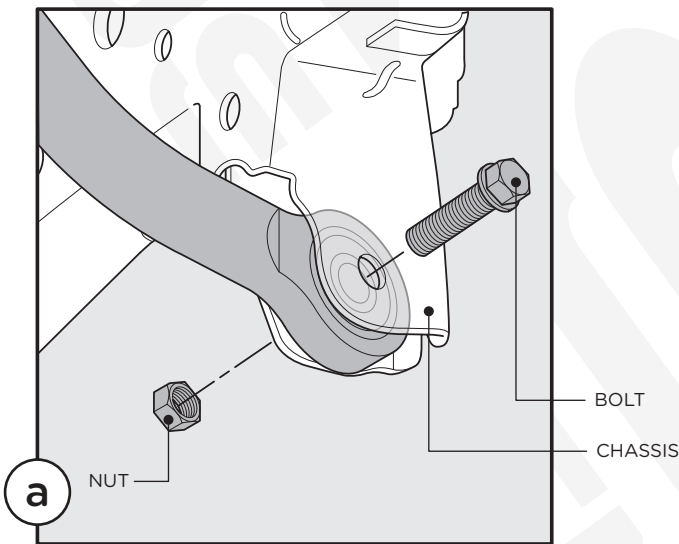
#### **Ratchet Strap Method**

1. Attach a heavy duty ratchet strap to the chassis on one side of the vehicle and to the axle housing on the other side.
2. Tighten the strap in small increments to pull the chassis in alignment with the axle.
3. Take measurements after each adjustment until centered.

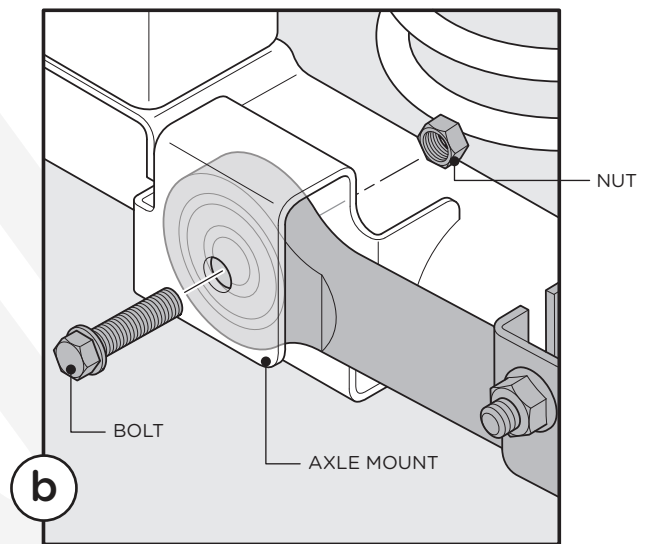
**INSTALL REAR TRACK BAR**

1. Apply anti-seize lubricant to bolt threads of original track bar mounting hardware as well as the adjustment threads of the track bar.

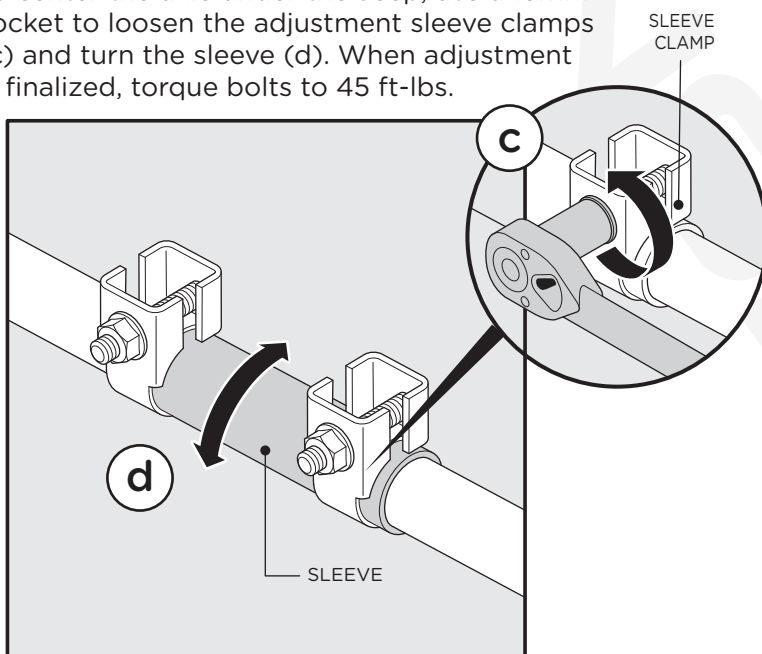
2. With the axle centered beneath the chassis, loosely attach the track bar to the chassis side using factory hardware. (a)



3. Adjust the track bar until the mounting hole lines up with the axle mount, then loosely attach the track bar to the axle mount using factory hardware. (b)



4. To center the axle under the Jeep, use a 15mm socket to loosen the adjustment sleeve clamps (c) and turn the sleeve (d). When adjustment is finalized, torque bolts to 45 ft-lbs.



Using a torque wrench, tighten the factory track bar bolts at both ends of the track bar to 125 ft-lbs.

It is necessary to have a professional wheel alignment performed by a certified technician to ensure the vehicle is aligned to factory specifications.

Upon completion of installation and within 50 miles of driving, it is necessary to check and ensure all hardware is properly torqued to factory specifications as noted in the factory service manual or as specified in this instruction.