

# RTS74JP

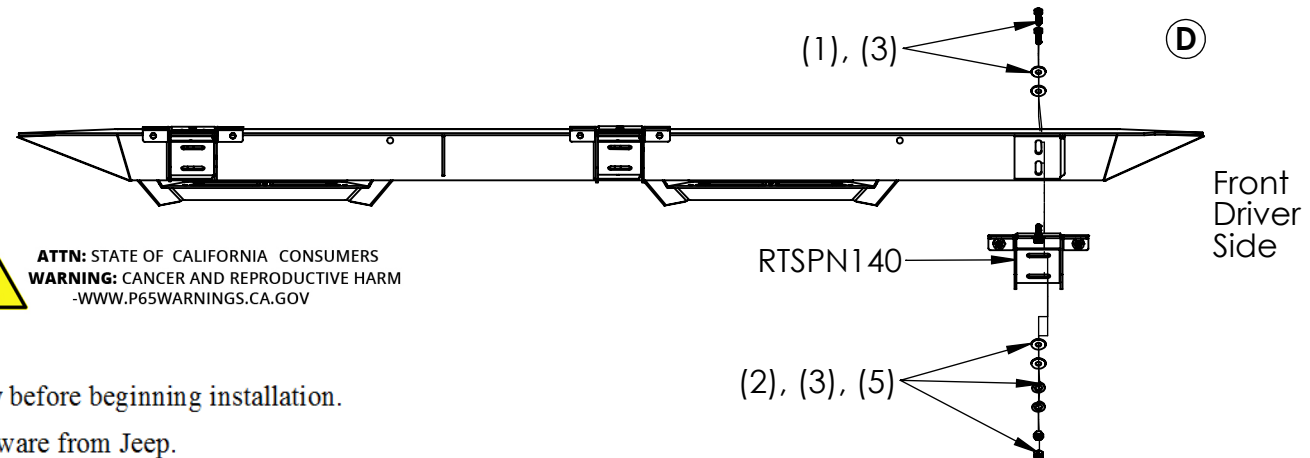
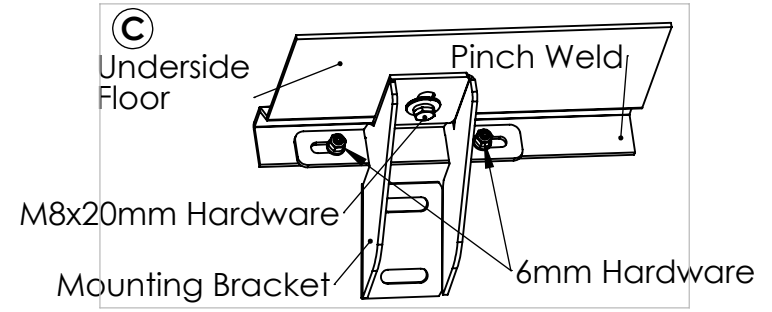
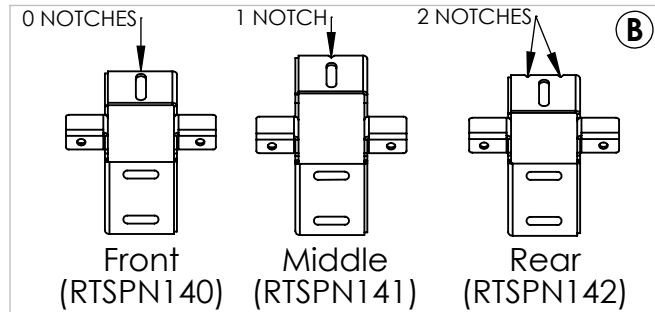
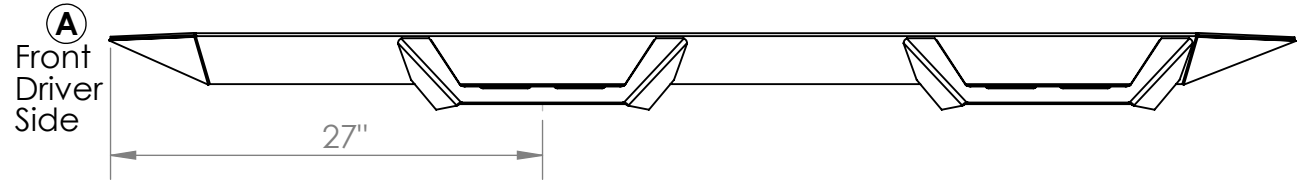
## Hardware Kit Includes Loose:

- (1) 12 – Hex head bolts (M8-1.25 x 20mm) Grade 8
- (2) 18 – Lock washers (M8) Grade 8
- (3) 18 – Flat washers (M8) Grade 8
- (4) 6 – M8 Plastic Push Nuts
- (5) 6 – Hex head nuts (M8-1.25) Grade 8
- (6) 12 – Button head bolts (M6-1.25) Grade 8
- (7) 24 – Flat washers (M6) Grade 8
- (8) 12 – Lock washers (M6) Grade 8
- (9) 12 – Hex head nuts (M6-1.25) Grade 8

## Components List:

- (1) 2 – 1 Driver/1 Passenger RT Steps
- (2) 2 – Front Mounting Brackets (RTSPN140)
- (3) 2 – Middle Mounting Brackets (RTSPN141)
- (4) 2 – Rear Mounting Brackets (RTSPN142)
- (5) 6 – M8 RT Step T Bolt (RTSPN175)

# 2018 Jeep Wrangler JL 4 Door RTS74JP Installation Instructions



**LOOSE FIT ALL COMPONENTS. DO NOT TIGHTEN UNTIL ALL COMPONENTS ARE INSTALLED AND ADJUSTED.**

**DISCLAIMER: USE ONLY COMPONENTS AND HARDWARE SUPPLIED BY ICI. NO SUBSTITUTIONS.**

**ATTN: STATE OF CALIFORNIA CONSUMERS**  
**WARNING: CANCER AND REPRODUCTIVE HARM**  
-WWW.P65WARNINGS.CA.GOV

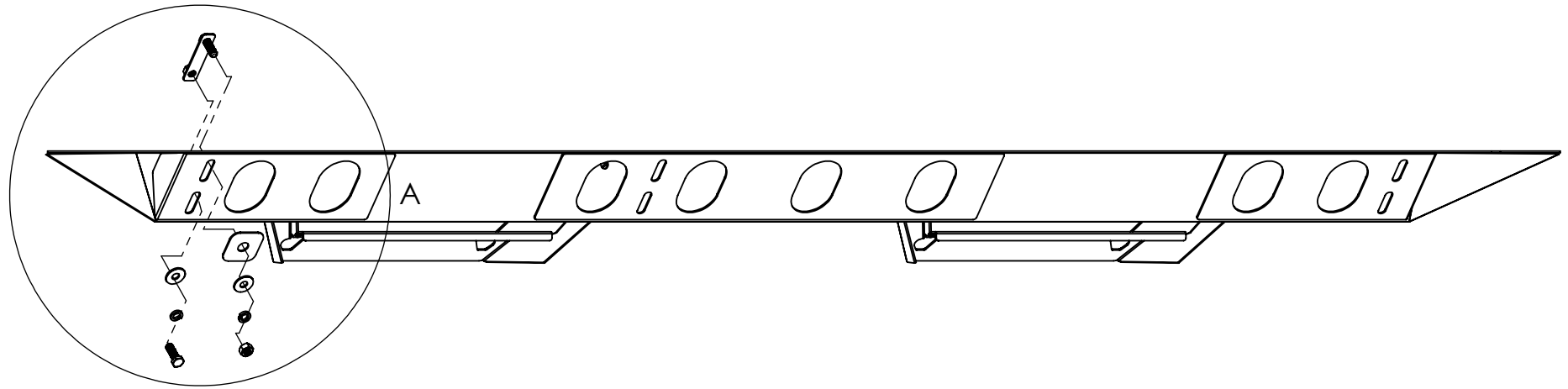
## Step by Step Installation Instructions

- STEP 1:** Read and understand instructions completely before beginning installation.
- STEP 2:** (If Equipped) Remove all old steps and hardware from Jeep.
- STEP 3:** Locate the driver's side step (center of front foot step is 27" to front of bar, see figure A). Each step uses 3 mounting brackets; front (RTSPN140), middle (RTSPN141) and rear (RTSPN142). Locate and identify brackets (see figure B).
- STEP 4:** There are 6 holes in the pinch weld of the Jeep, using the provided 6mm hardware (button head bolts, flat washers, lock washers, and nuts) loose fit the mounting brackets to these holes in their corresponding locations (front, middle and rear). Once the brackets are loosely fit, use the provided 8mm hardware (20mm hex head bolts, flat washers and lock washers) to attach the mounting brackets to the underside floor (see diagram C). NOTE: shorter 8mm bolts go into the underside floor.
- STEP 5:** Once all 6 brackets are loose fit to the truck, mount the RT Step to the brackets using provided 8mmx30mm hex head bolts, 2 flat washers per bolt, lock washers and nuts (See figure D).
- STEP 6:** Once RT Step is loose fit, tighten brackets to pinch weld and inside rocker. Next, adjust bar up/down and front/back (ensure RT Step has 1/8" gap between the bar and the pinch weld to ensure there is no rubbing), then tighten step to brackets. Repeat for passenger side.

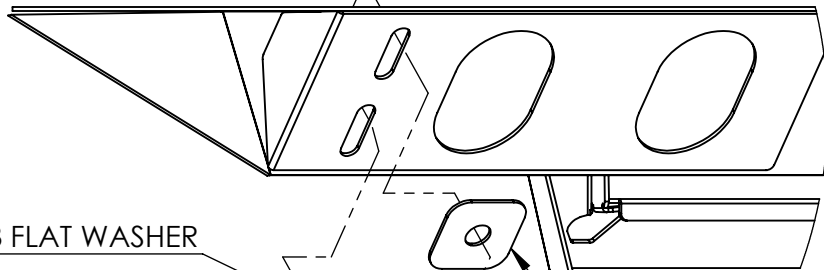
# RT STEPS & WHEEL TO WHEEL RT STEPS

04/27/18

ALL MAKES/MODELS OF RT STEPS & W2W RT STEPS (USING RTSPN175 T-BOLT)



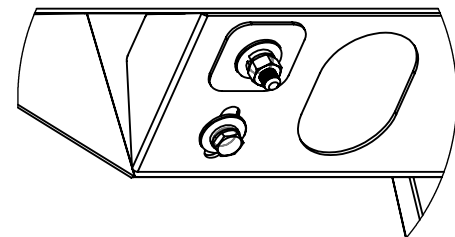
RTSPN175 - M8 RT STEP  
MOUNTING T-BOLT



M8 FLAT WASHER

M8 LOCK WASHER

M8-1.25 x 20MM  
HEX HEAD BOLT



M8 PLASTIC PUSH NUT

M8 FLAT WASHER

M8 LOCK WASHER

M8-1.25 HEX HEAD NUT